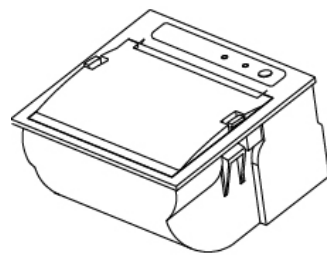


# Operator's Manual

## Model PMP-PR40 panel mounting printer



All specifications are subjected to change without notice

PMP-PR40 London Electronics Ltd. <https://www.london-electronics.com>

**Caution**

Some semiconductor devices are easily damaged by static electricity. You should turn the printer “OFF”, before you connect or removed the cable on the rear side, in order to guard the printer against the static electricity.  
If the printer is damaged by the static electricity, you should turn the printer “OFF”

**Notice**

The contents of this manual are subject to change without notice.

\* Changes or modifications not expressly approved by the party responsible for compliance could void the user's authority to operate the equipment.

## ■ Introduction

It is the ideal solution for applications which require the immediate printing of data on a paper, whether they be of an industrial, laboratory or office nature.

Medical analyzer, Industrial instrument, Recorder, Geological analyzer, Underground analyzer, Chemical analyzer, Metallic analyzer, etc.

- ▶ Ultra small size rack mount printer.
- ▶ Very silent printing thru direct thermal printing method.
- ▶ High speed(50mm/sec)
- ▶ High resolution(203dpi : 8dots/mm).
- ▶ Easier paper loading by CLAMSHELL design.
- ▶ Support text and graphic printing.
- ▶ Serial(UART, TTL) interface
- ▶ Easier maintenance with self-diagnostics.
- ▶ Flow control : Software (XON/XOFF)
  - ※ Hardware flow control not supported in printer.

NOTE : This equipment has been tested and found to comply with the limits for a Class B digital device pursuant to Part 15 of the FCC Rules. These limits are designed to provide reasonable protection against harmful interference in a residential installation. This equipment generates, uses, and can radiate radio frequency energy and, if not installed and used in accordance with the instructions, may cause harmful interference to radio communications. However, there is no guarantee that interference will not occur in a particular installation. If this equipment does cause harmful interference to radio or television reception, which can be determined by turning the equipment off and on, the user is encouraged to try to correct the interference by one or more of the following measures:

- Reorient or relocate the receiving antenna.
- Increase the separation between the equipment and receiver.
- Connect the equipment into an outlet of a circuit different from that to which the receiver is connected.
- Consult the dealer or an experienced radio/TV technician for assistance.

## **▣ Operating Precautions**

Please follow the precautions below to enjoy and maintain the full performance of the printer.

### **▶ Using the Printer**

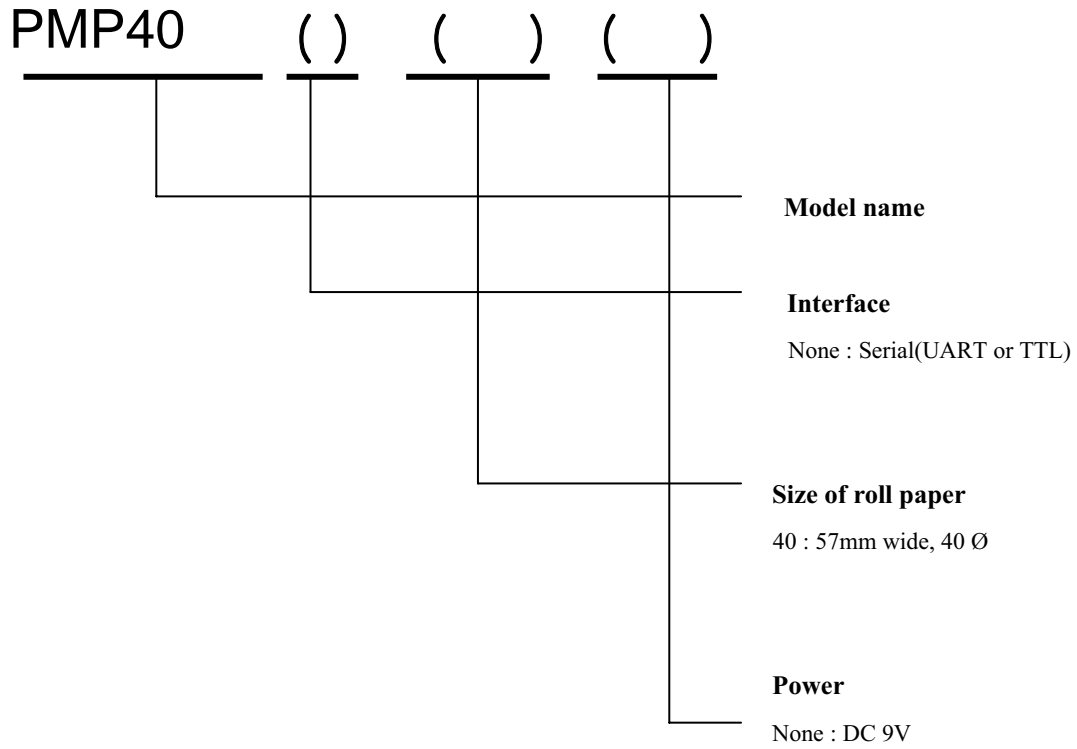
- Be careful not to drop or bump the printer on a hard surface.
- Do not install the printer in direct sunlight or such areas.  
Suitable environment for the use of the printer is as follows :
  - ◆ Operating temperature : -10°C to 40 °C
  - ◆ Relative humidity : 10% to 90% (no condensation)
- Do not install the printer near devices that generate strong electromagnetic fields such as a copy machine.
- Do not remove or reinstall the communication cable during printing or transmission.

# CONTENTS

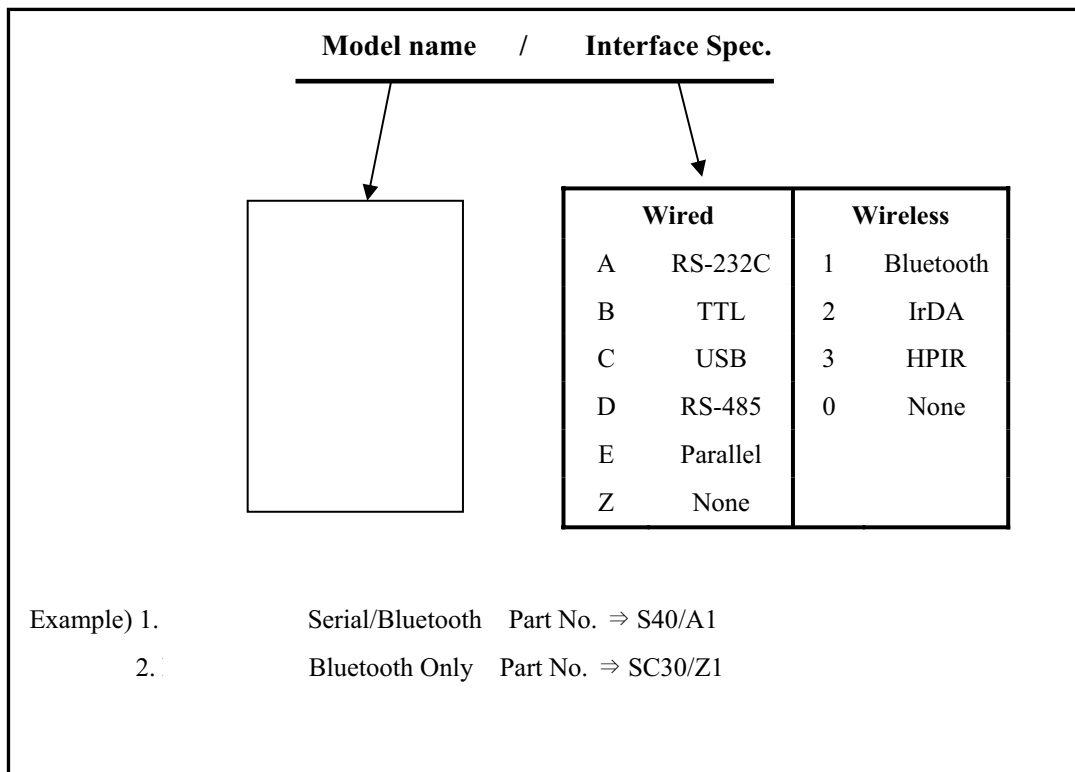
<b>1. Outline .....</b>	<b>6</b>
1.1. Model classifications .....	6
1.2. Product Part Number System.....	7
1.3. Specifications .....	8
<b>2. Setting up the printer .....</b>	<b>9</b>
2.1. Printer & Accessories .....	9
2.2. Printer Features.....	10
2.3. Installation .....	11
2.4. Replacing the paper roll.....	12
2.5. Setting operation mode.....	14
2.6. Power supply .....	17
<b>3. Interface.....</b>	<b>18</b>
3.1. Serial Interface.....	18
<b>4. Using the printer .....</b>	<b>19</b>
4.1. Control panel .....	19
4.2. The self test.....	19
<b>5. Consumable Parts.....</b>	<b>20</b>
5.1. Recommended paper .....	20
5.2 Printing position .....	20

# 1. Outline

## 1.1. Model classifications



## 1.2. Product Part Number System



### 1.3. Specifications

Item	Specification	
<b>Printing method</b>	Direct thermal line printing	
<b>Characters per line</b>	42cpl	
<b>Character size</b>	Eng. : 9*24dots, 12*24dots    Kor. : 16*24dots, [24*24dots]	
<b>Resolution</b>	203dpi, 8dots/mm	
<b>Print width</b>	2-inch (48mm, 384dots)	
<b>Printing speed</b>	50mm/sec	
<b>Dimensions</b>	80 * 75 * 40 mm (include PCB )	
<b>Weight</b>	153g (including roll paper )	
<b>Interface</b>	Serial(UART, TTL)	
<b>Paper supplied</b>	Thermal roll paper (57mm wide, 40ø)	
<b>Barcode supplied</b>	PDF417(2-dimension), Code128, Code39, I2/5, Code93 UPC, EAN(KAN, JAN), CODABAR	
<b>Receive buffer size</b>	10K bytes	
<b>Note</b>	Printing speed may be slower, depending on the data transmission speed and the combination of control commands.	
<b>Input Power</b>	9VDC, Standby 60mA and Max 3A (Standard model)	
<b>Environment conditions</b>	Temperature	-10°C ~ 40°C (operating) -10°C ~ 70°C (storage)
	Humidity	30% - 80% (operating) 10% - 90% (storage)
<b>MCBF (Mean Cycle Between failure)</b>	Mechanical	37,000,000 lines
	Head	Approximately 50 Km

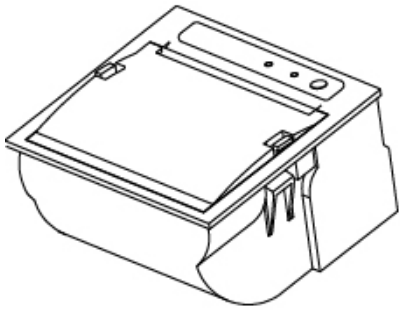


## 2. Setting up the printer

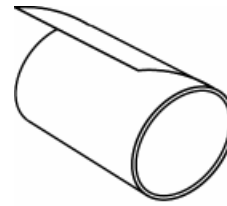
### 2.1. Printer & Accessories

When unpacking your printer box make sure it contains the printer and all accessories.

If any accessories are missing or damage, please contact your dealer for assistance.

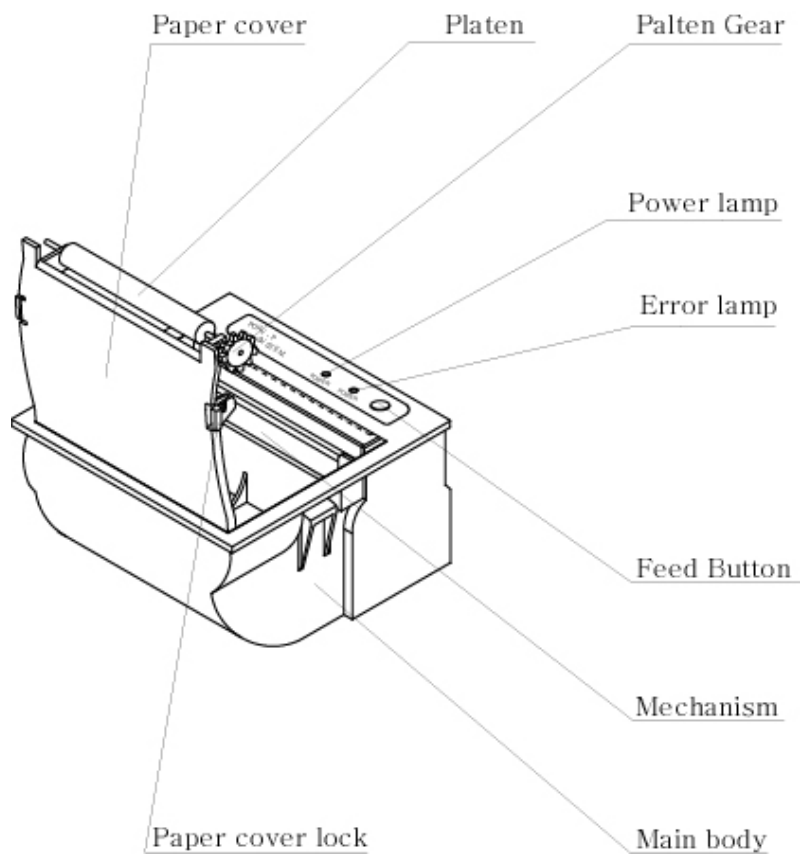


**Porti-P40**

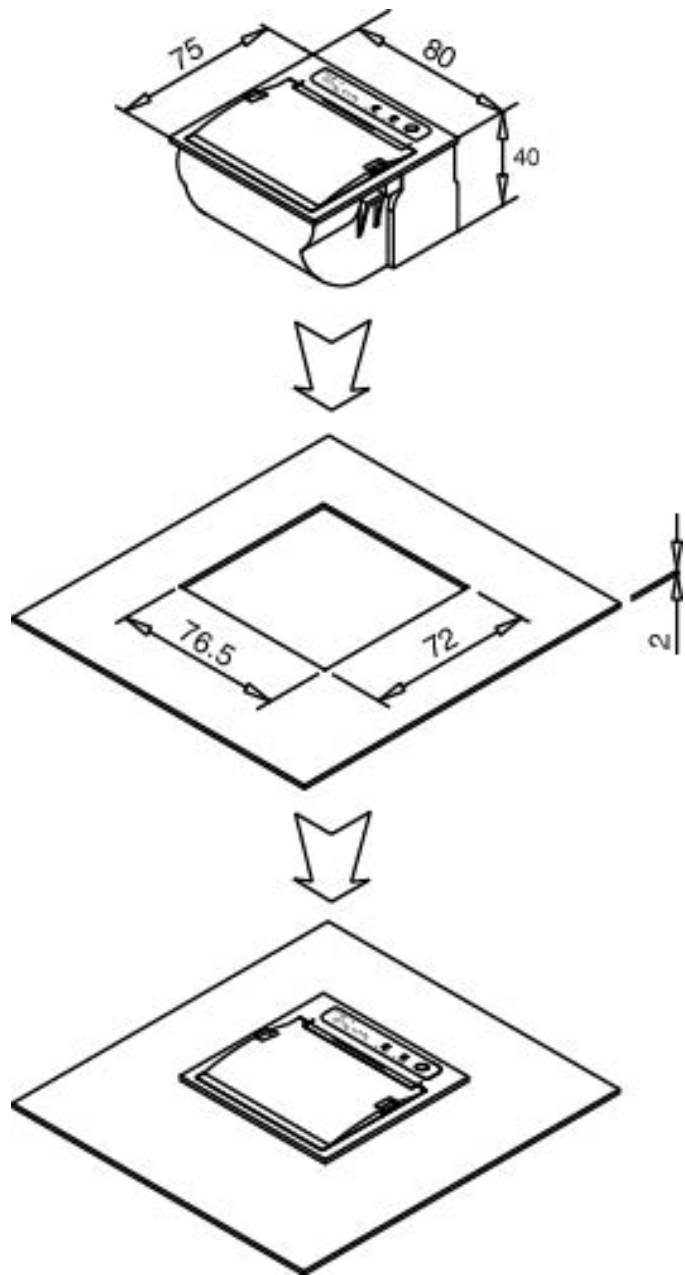


**Roll paper**

## 2.2. Printer Features



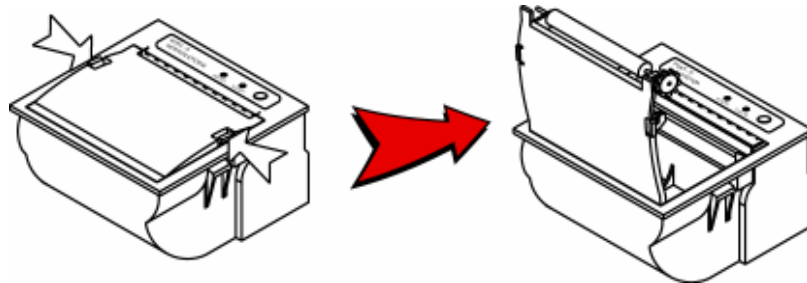
### 2.3. Installation



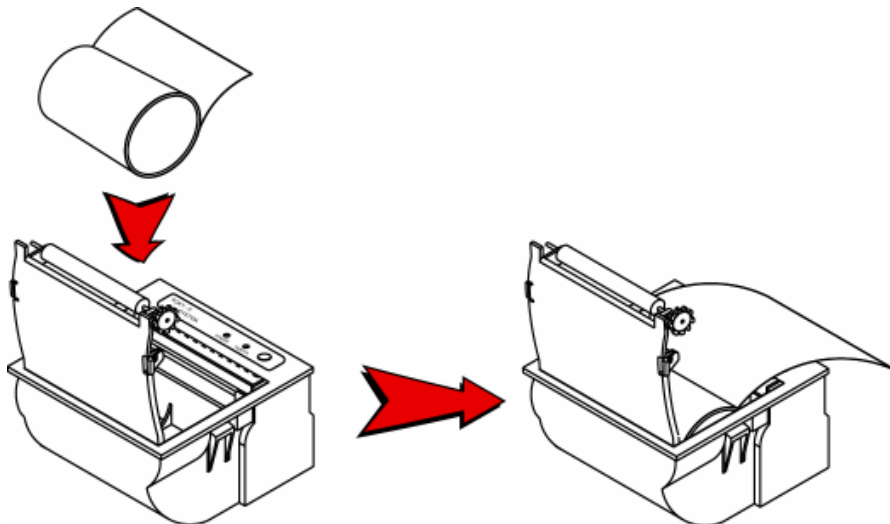
## 2.4. Replacing the paper roll

**Note :** Be sure to use paper rolls that meet the specifications.  
Do not use paper rolls that have the paper glued to the core because the printer cannot detect the paper end correctly.

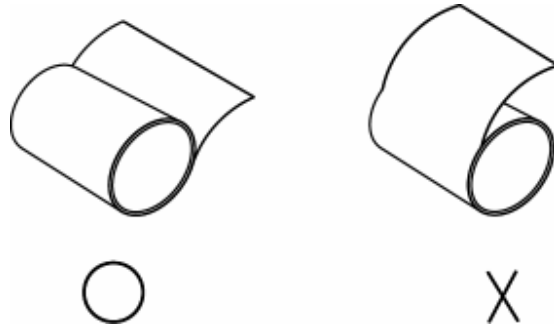
1. Make sure that the printer is not receiving data; otherwise, data may be lost.
2. Open the paper roll cover by applying your finger on both side of printer, push it up when the lock is released as shown in the drawing.



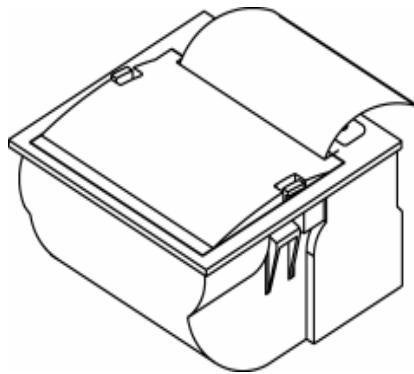
3. Remove the used paper roll core if there is one.
4. Insert the paper roll as shown.



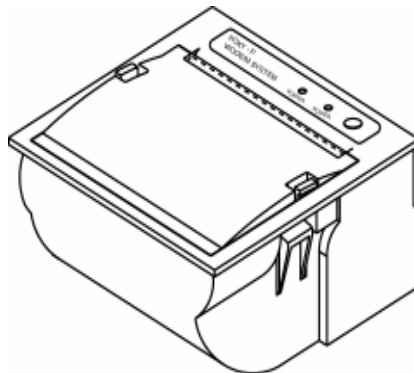
5. Be sure to note the correct direction that the paper comes off the roll.



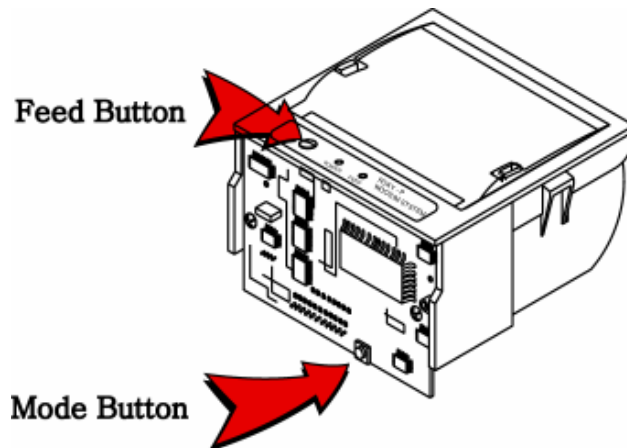
6. Pull out a small amount of paper and then close the cover as shown.



7. Tear off the paper as shown.



## 2.5. Setting operation mode



1. Press the **MODE Button** until the **Error Lamp** twinkles 5 times.
2. Change the mode and option using the **MODE Button** according to the MODE (Table1).

- **MODE button** : use for changing OPTION status. (**Error Lamp**)
- **FEED button** : use for changing MODE status. (**Power Lamp**)

Ex) The defaults of the printer are : UART/ 9600 bps/ 8 data bit / No parity  
/ Density Low

If a user wants to modify the defaults with Protocol UART / 38400 bps / 7 data  
bit/ even parity/ density high

- ▶ Press **MODE Button** until **Error Lamp** twinkles 5 times and release the  
button.  
→ You will see the **Power Lamp** twinkles one time and the **Error Lamp**  
twinkles one time.  
→ Press the **MODE Button** one time and the **Error Lamp** twinkles twice.  
(The interface mode has set to Protocol UART mode.)

- ▶ Press **FEED button** one time, **Power Lamp** twinkles twice and **Error Lamp** twinkles one time.
  - Press the **MODE Button** two times, and the **Error Lamp** twinkles three times.  
(The baud rate has set to 38,400 bps)
- ▶ Press **FEED Button** one time, **Power Lamp** twinkles 3 times and **Error Lamp** twinkles 2 times.
  - Press **MODE Button** one time, **Error Lamp** twinkles one time.  
(The Data Bit has set to 7 Data bit)
- ▶ Press **FEED Button** one time, **Power Lamp** twinkles 4 times and **Error Lamp** twinkles 1 time.
  - Press **MODE Button** one time, **Error Lamp** twinkles two times.  
(The Parity bit has set to Odd parity bit)
- ▶ Press **FEED Button** two time, **Power Lamp** twinkles 6 times and **Error Lamp** twinkles 1 time.
  - Press **MODE Button** one time, **Error Lamp** twinkles 2 times after then press **MODE Button** again, the **Error Lamp** will twinkle 3 times.  
( The Density has set to High)

If all the mode have set, press the **MODE Button** and the **FEED Button** at the same time after then release the buttons at the same time.

The printer will print out the mode status which has modified.

**(Protocol UART / 38400 bps/ 7 Data bit/ Odd parity/ 1 Stop Bit/Density high /Mark No Use)**

If the status is not correct, please try it again according to the procedure.

	POWER Lamp (Green)	ERROR Lamp (Red)	Option
<b>Communication Port</b>	1	1	UART
		2	Protocol UART
<b>Baud Rate</b>	2	1	9600 bps
		2	19200 bps
		3	38400 bps
		4	57600 bps
		5	115200 bps
<b>Data Bit</b>	3	1	7 Data bit
		2	8 Data bit
<b>Parity Bit</b>	4	1	No Parity
		2	Even Parity
		3	Odd Parity
<b>Stop Bit</b>	5	1	1 Stop Bit
		2	2 Stop Bit
<b>Density</b>	6	1	Density Low
		2	Density Medium
		3	Density High
<b>Mark</b>	7	1	No use
		2	Use
<b>Sensor</b>	8	1	Low
		2	Medium1
		3	Medium2
		4	High

**TABLE 1**



## 2.6. Power supply

The following specifications are requested for Power supply.

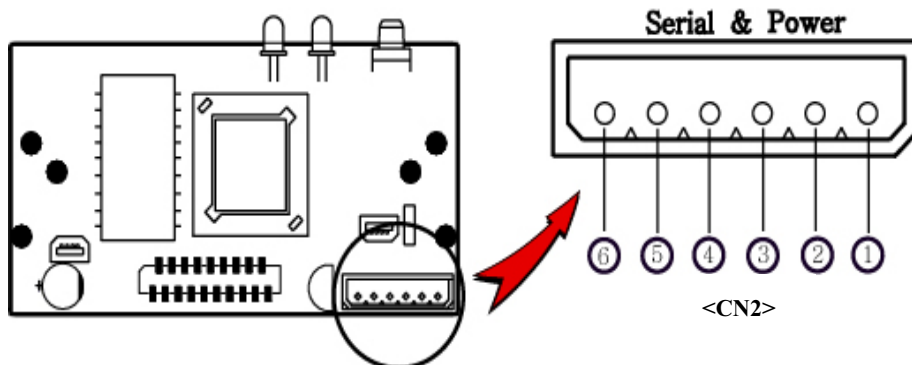
INPUT :

DC 9V / Max 3A

Avoid using power supply which its power capacity of power current is extremely high.

## 3. Interface

### 3.1. Serial Interface



P40 printer has a serial(UART or TTL) serial interface and power connector is connected by 6 pin female connector.

In the following table, the signals present on the connector are listed:

Pin no.	Signal name	Direction	Function
1	INPUT	-	9V/3A
2	TxD	Output	Transmit Data
3	RxD	Input	Receive Data
4	N.C	-	-
5	N.C	-	-
6	GND	-	Ground

<CN2 : MOLEX (5267-06P)>

Applicable connector : MOLEX 5264-06P or equivalent.



#### WARNING

A wrong connection of power supply connector could be damage the printer.

## 4. Using the printer

### 4.1. Control panel



#### ► Button

- **FEED** : When the printer is on, paper can be feed manually by pressing and holding the FEED button for more than one second.

#### ► Panel Lamp

- **POWER(Green)** : Printer is ON and ready to receive data.
- **ERROR (Red)** : Indicates a fault condition or a printer error.  
(i.e : no paper, paper cover opened. etc.)

### 4.2. The self test

The self test procedure will check most of the printer functions. For self test, turn on the power while holding down the FEED Button. The Self-Test checks the following :

- 1) Make sure paper roll has been installed properly.
- 2) The Self-Test prints the current printer status, which provides the control ROM version and the communication method setting.
- 3) After printing the current printer status, Self-Test will print a pattern using the built-in character set.
- 4) The Self-Test automatically ends.

The printer is ready to receive data as soon as it completed the self test.

## 5. Consumable Parts

### 5.1. Recommended paper

Type	: Thermal Paper
Paper width	: 57mm
Paper thickness	: $60 \pm 5 \mu\text{m}$
Outer diameter	: $\text{Ø}40\text{mm}$
Recording side	: Outside of roll



#### Cautions

1. Do not paste the paper to the core. And the roll paper which has near end mark printing on its near end is recommended.
2. Chemicals or oil may change the color of paper, or printed characters may fade.
3. Change of paper color starts from approx.  $70^{\circ}\text{C}$ .  
Pay attention to heat, humidity and sun light.
4. Color of paper may be changed by being scratched by nail or hard metal, etc.

### 5.2 Printing position

