

PICA-T

*A compact 4 digit scalable
AC/DC Voltage and Current
meter with wide-range power supply.*



DESCRIPTION

INDICATOR for:

- PT100 SENSOR
- THERMOCOUPLE TYPE J, K, T and N

Fully programmable panel meter for temperature measurement in °C or °F using **Pt100 sensor** or **thermocouple type J, K, T and N**.

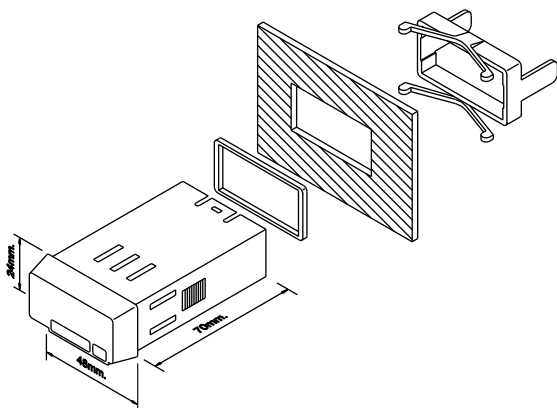
Configurable indication in °C or tenths of °C for Pt100 sensor.

Controlled by three buttons situated on the bottom of the display.

DIMENSIONS AND MOUNTING

Dimensions	48 x 24 x 70 mm
Panel Cutout	45 x 22 mm
Weight	60g
Case Material	Polycarbonate s/ UL 94 V-0

Instruments include a sealing gasket and a fixing clip for front and rear panel installation.



TECHNICAL SPECIFICATIONS

INPUT:

Pt100 Measurement Current	1mA
Pt100 Linearization	IEC 60751
Pt100 α Coefficient	0.00385
Pt100 Maximum Wire Resistance	40 Ω (balanced)
Thermocouple Cold Junction Compensation Range	-10°C a 60°C

ACCURACY at 23°C \pm 5°C

Pt100 (1°)	$\pm(0.2\% \text{ rdg} + 1^\circ\text{C}) / \pm(0.2\% \text{ rdg} + 2^\circ\text{F})$ $t < -50^\circ\text{C} / -58^\circ\text{F} \Rightarrow \pm(1\% \text{ rdg} + 1^\circ\text{C}) / \pm(1\% \text{ rdg} + 2^\circ\text{F})$
Pt100 (0.1°)	$\pm(0.2\% \text{ rdg} + 0.4^\circ\text{C}) / \pm(0.2\% \text{ rdg} + 0.7^\circ\text{F})$ $t < -50.0^\circ\text{C} / -58.0^\circ\text{F} \Rightarrow \pm(1\% \text{ rdg} + 0.4^\circ\text{C}) / \pm(1\% \text{ rdg} + 0.7^\circ\text{F})$
Temperature Coefficient	100 ppm/°C
Warm-up Time	10 Minutes

POWER SUPPLY AND FUSES (DIN 41661, not included)

PICA-T:	85-265V AC 50/60Hz and 100-300V DC F 0.1A/ 250V
PICA-T6:	21-53V AC 50/60Hz and 10.5-70V DC F 0.5A/ 250V
Power Consumption	1.8W

CONVERSION

Technique	Sigma-Delta
Resolution	\pm 15 bits
Conversion Rate	20/s

DISPLAY

Type	4 red digits 10mm
Display Refresh Rate	4/s
Display/input Over-range Indication	OL

ENVIRONMENTAL CONDITIONS

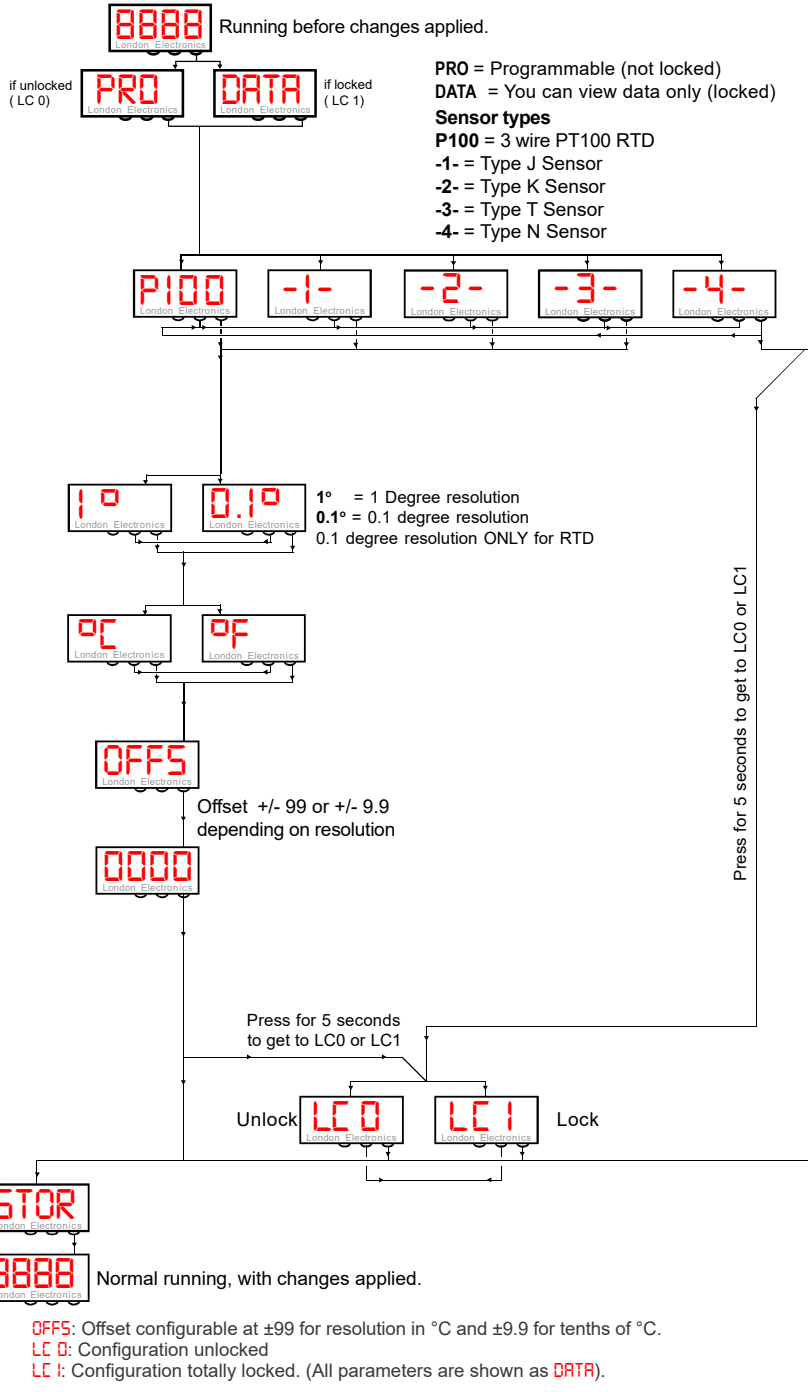
Operating Temperature	-10°C to +60°C
Storage Temperature	-25°C to +85°C
Relative Humidity (non condensing)	<95% @ 40°C
Maximum Altitude	2000m
Front Panel Sealing	IP65

ORDERING CODES

PICA -T -X	
Input Type:	
Supply Voltage:	
85-265V AC 50/60Hz and 100-300V DC	0
21-53V AC 50/60Hz and 11-70V DC	6

CONFIGURATION

Resolution	Pt100	TC "J"	TC "K"	TC "T"	TC "N"
1°	-200 to 800°C -328 to 1472°F	-200 to 1100°C -328 to 2012°F	-200 to 1250°C -328 to 2282°F	-200 to 400°C -328 to 752°F	-200 to 1250°C -328 to 2282°F
0.1°	-199.9 to 800°C -199.9 to 999.9°F	-	-	-	-

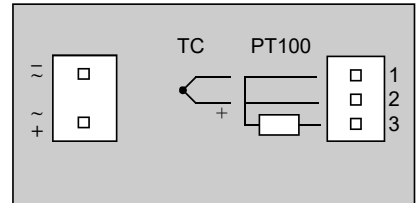


CONNECTIONS

Instruments include a sealing gasket and a fixing clip for front and rear panel installation. These meters have detachable plug-in connectors. Wires are held in place with spring clamps. A special displacement tool is included to help you connect your wiring to the clamps.

Power

Signal Input



WARNING

In order to guarantee electromagnetic compatibility, the following guidelines for cable wiring must be followed:
 Power supply wires must be separated from signal wires. Never run power and signal wires in the same conduit.
 Use shielded cable for signal wiring and connect shield to ground.
 Cable section must be $\geq 0.25\text{mm}^2$

INSTALLATION

Where the unit is permanently connected to the main supply and to meet the requirements of EN61010-1 Directive, it is obligatory to install a circuit breaker device easy reachable to the operator and clearly marked as a protection device.

CLEANING: Front cover should be cleaned only with a soft cloth soaked in neutral soap product. **DO NOT USE SOLVENTS.**

WARRANTY

All products are warranted against defective material and workmanship for a period of two years from acquisition date.

If a product appears to have a defect or fails during the normal use within warranty period, please contact the distributor from whom you purchased the product to be given proper instructions.

This warranty does not apply to defects resulting from action of the customer such as mishandling or improper interfacing.

The liability under this warranty shall extend only to the repair of the instrument; no responsibility is assumed by the manufacturer for any damage which may result from its use.

