

London Electronics Limited

Thomcote Road, Near Sandy, Bedfordshire SG19 1PU
Tel +44(0)1767 626444 Fax +44(0)1767 626446
www.london-electronics.com help@london-electronics.com

Quick guide to Titan Manager

Titan Manager

Connection details and general information
In addition to standard manuals

Revision: 1

Warnings

Please carefully read this manual and all warnings. Install the display ONLY when you are sure that you've covered all aspects.



Where the product is intended for "UL" installations, removal or addition of option boards is not permitted.



Check that the model number and supply voltage suit your application before you install the display.



Connect the display according to current IEE regulations, IEC61010 & NFPA:70 National Electric Code in USA.



Power supplies to this equipment must have anti-surge (T) fuses rated at 1A for 230V supply, 2A for 110V supply or 10A for DC supplies in the range 11-30VDC.



Don't touch any circuitry after you have connected the display, because there may be lethal voltages on the circuit board.



Do not apply power to the display if its case is open.



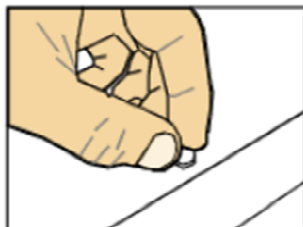
Only adjust on-board switches or connections with the power turned off



Make sure all screw terminals are tight before you switch the meter on.



Only clean the display's case and window with a soft damp cloth. Only lightly dampen with water. Do not use any other solvents.



Rear case screws - please note

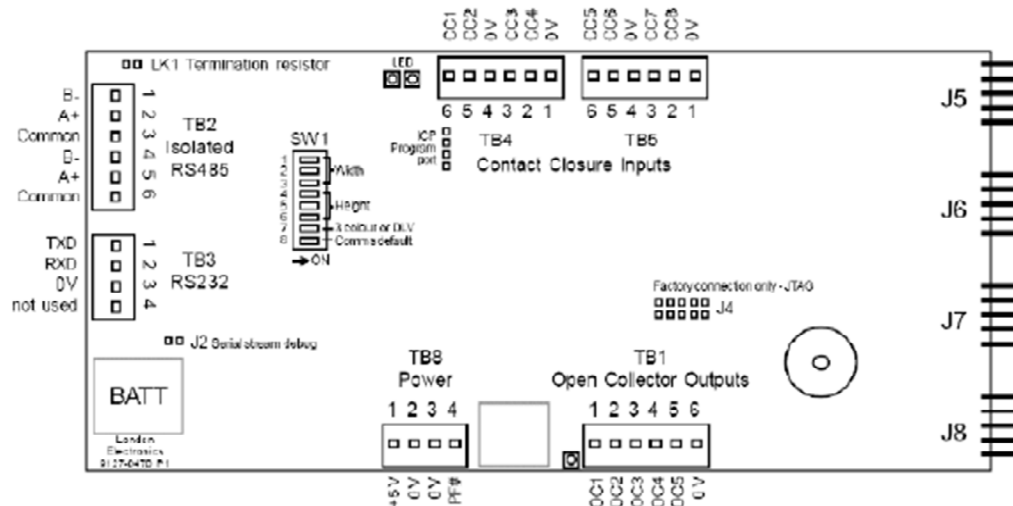
The rear panel is held in place with finger-screws, which only need to be gently tightened.

Do not use tools to tighten or loosen the screws, as this could cause damage to the internal threads.

**Safety FirstDon't assume anything..... Always double check.
If in doubt, ask someone who is QUALIFIED to assist you in the subject.**

Connections

Controller Board Diagram



Power

TB8 Pin 1	+5V
TB8 Pin 2	0V
TB8 Pin 3	0V
TB8 Pin 4	PF#

RS232 Interface

TB3 Pin 1	TX Output
TB3 Pin 2	RX Input
TB3 Pin 3	0V

RS485 Interface

TB2 Pin 1	B-
TB2 Pin 2	A+
TB2 Pin 3	COMMON
TB2 Pin 4	B-
TB2 Pin 5	A+
TB2 Pin 6	COMMON

Contact Closure Inputs

TB4 Pin 6	CC1
TB4 Pin 5	CC2
TB4 Pin 4	0V
TB4 Pin 3	CC3
TB4 Pin 2	CC4
TB4 Pin 1	0V

Open Collector Outputs

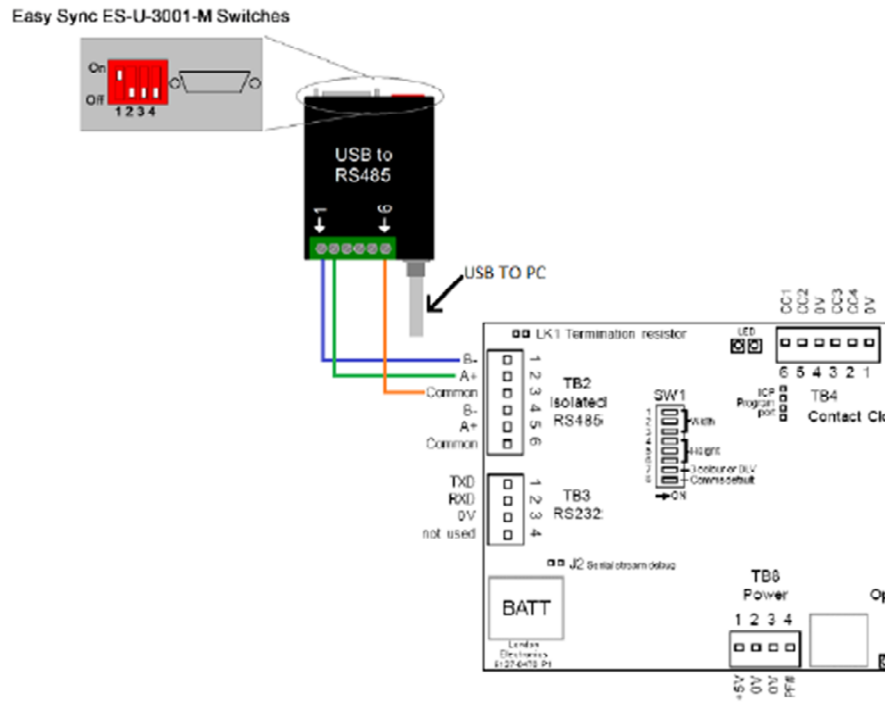
TB1 Pin 1	OC1
TB1 Pin 2	OC2
TB1 Pin 3	OC3
TB1 Pin 4	OC4
TB1 Pin 5	OC5
TB1 Pin 6	0V

TB5 Pin 6	CC5
TB5 Pin 5	CC6
TB5 Pin 4	0V
TB5 Pin 3	CC7
TB5 Pin 2	CC8
TB5 Pin 1	0V

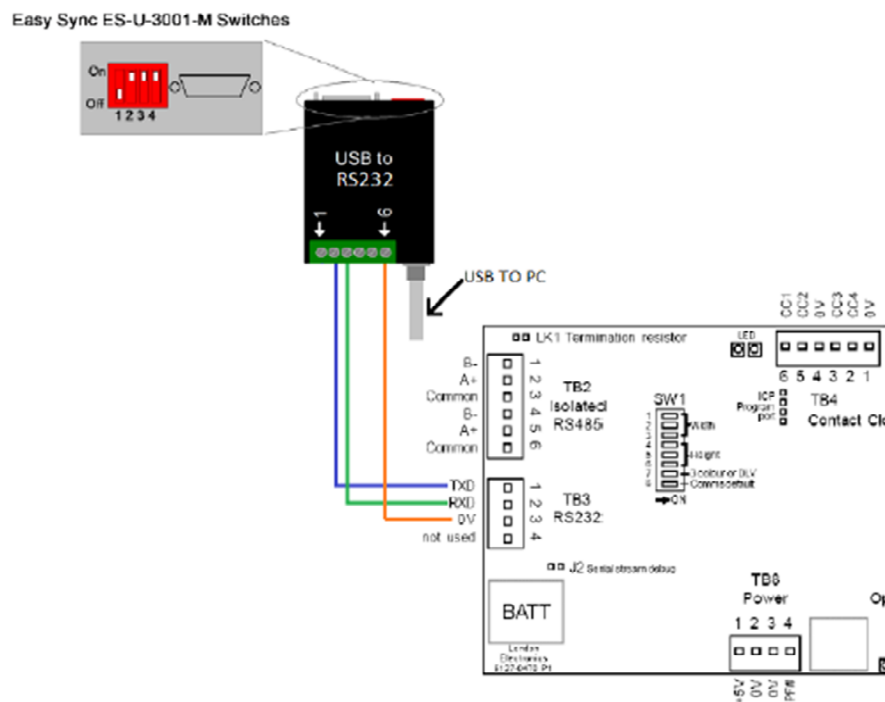
Connections to Serial Converter

Connect through the RS232 or RS485 connector of the Titan control card, via a serial to USB converter plugged into the PC.

Example of RS485 Connection with an Easysync serial converter, ES-U-3001-M



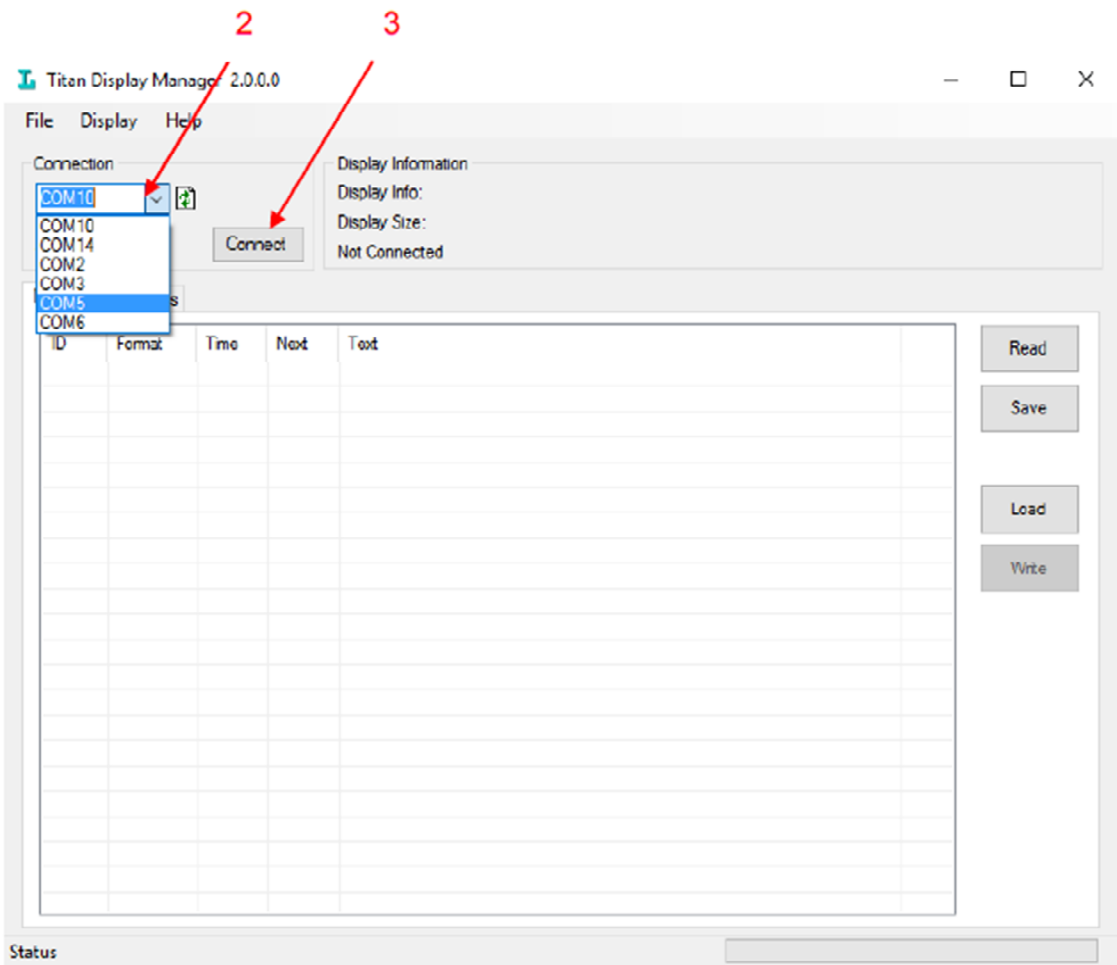
Example of RS232 Connection with an Easysync serial converter, ES-U-3001-M



Software

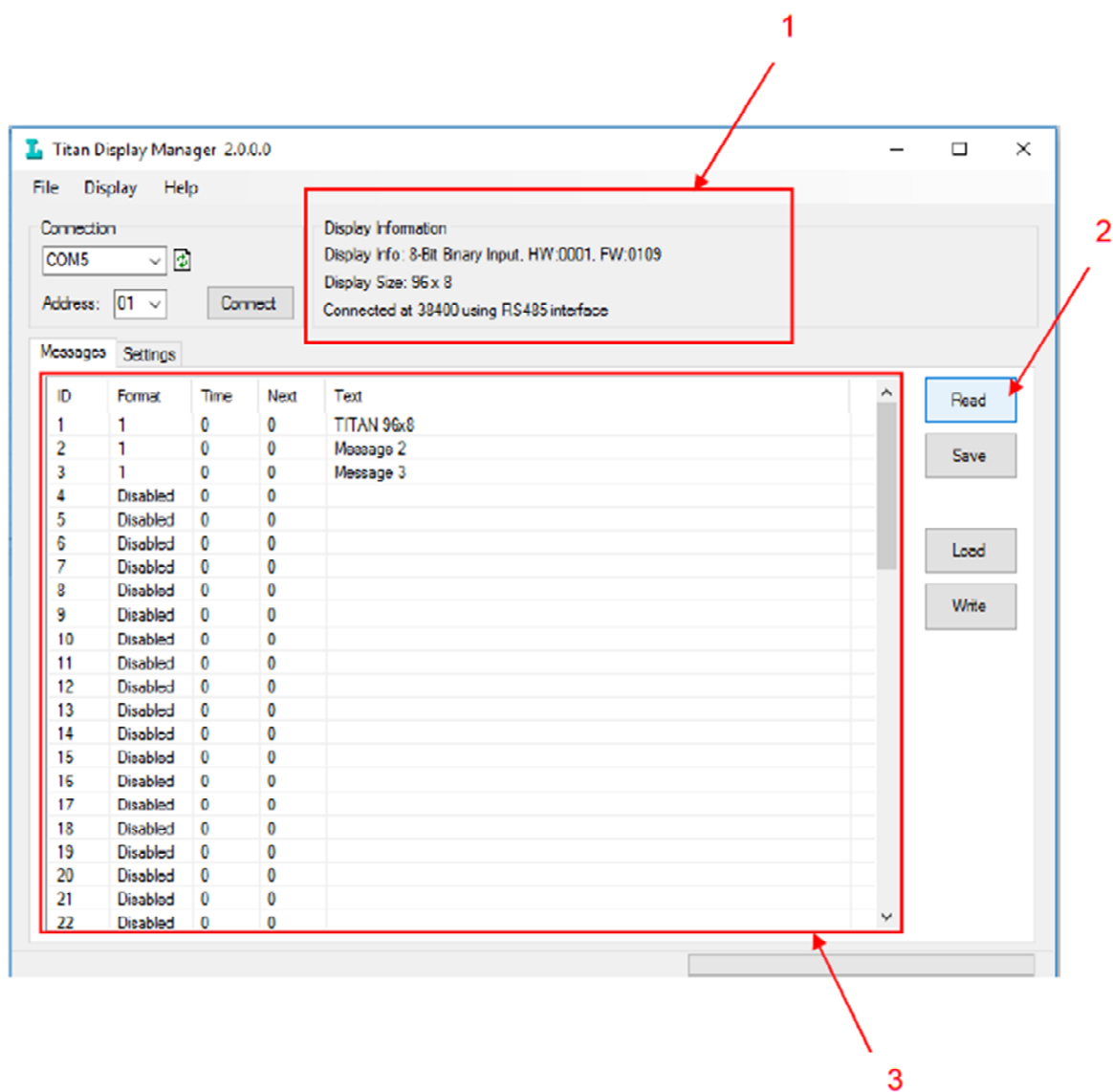
1)

- 1) Run Titan Manager.
- 2) Select the Com port your serial converter is connected to.
- 3) Click "Connect"



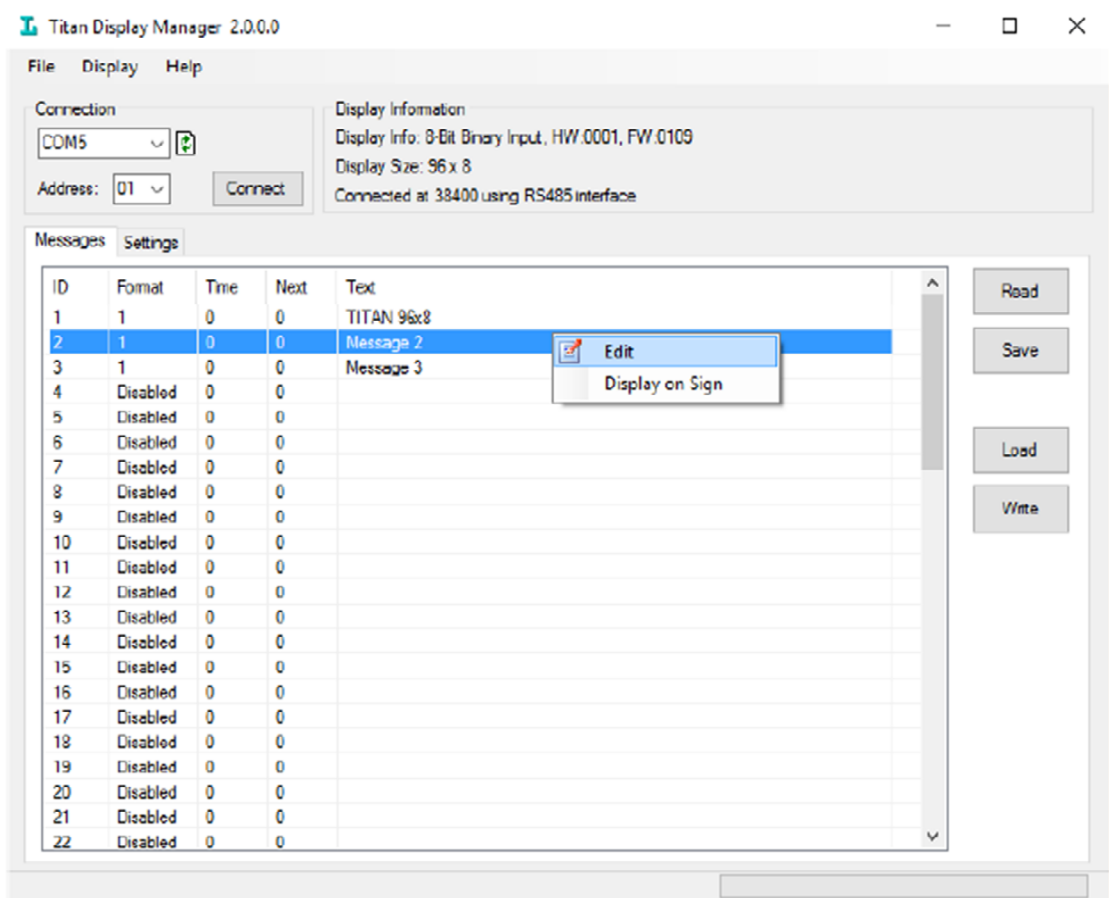
2)

- 1) After clicking "Connect" information about your Titan will appear here.
- 2) Click "Read" and all the current stored messages will appear (3).



3)

1) Right click on a message and click edit.



4)

- 1) Display Format: Off to disable or select font size.
- 2) Message Timer: How long to display message for in seconds
- 3) Next message: Message to display next, Message timer should be >0
- 4) The Message: Line 1, Line 2, Line 3 and Line 4.

The screenshot shows the 'Edit Message' dialog box. At the top, there is a 'Display Format' section with several options: 'OFF', a 16x8 pixel font, '0123' (8x8), '01234567' (8x8), '012' (8x8), '0123456789' (8x8), '0123456789' (8x8), '0123' (8x8), and '01'. Red arrows labeled '1' point to the 'OFF' option and the 16x8 pixel font. Below this is a 'Message Timer' field with the value '0' and a 'Next Message' dropdown menu with '0' selected. Red arrows labeled '2' and '3' point to these fields. Below are four 'Line' sections (Line 1 to Line 4). Line 1 contains the text 'Message 2' in green. Red arrows labeled '4' point to the text in Line 1, and similar arrows point to the empty text boxes in Lines 2, 3, and 4. At the bottom are 'Cancel' and 'OK' buttons.

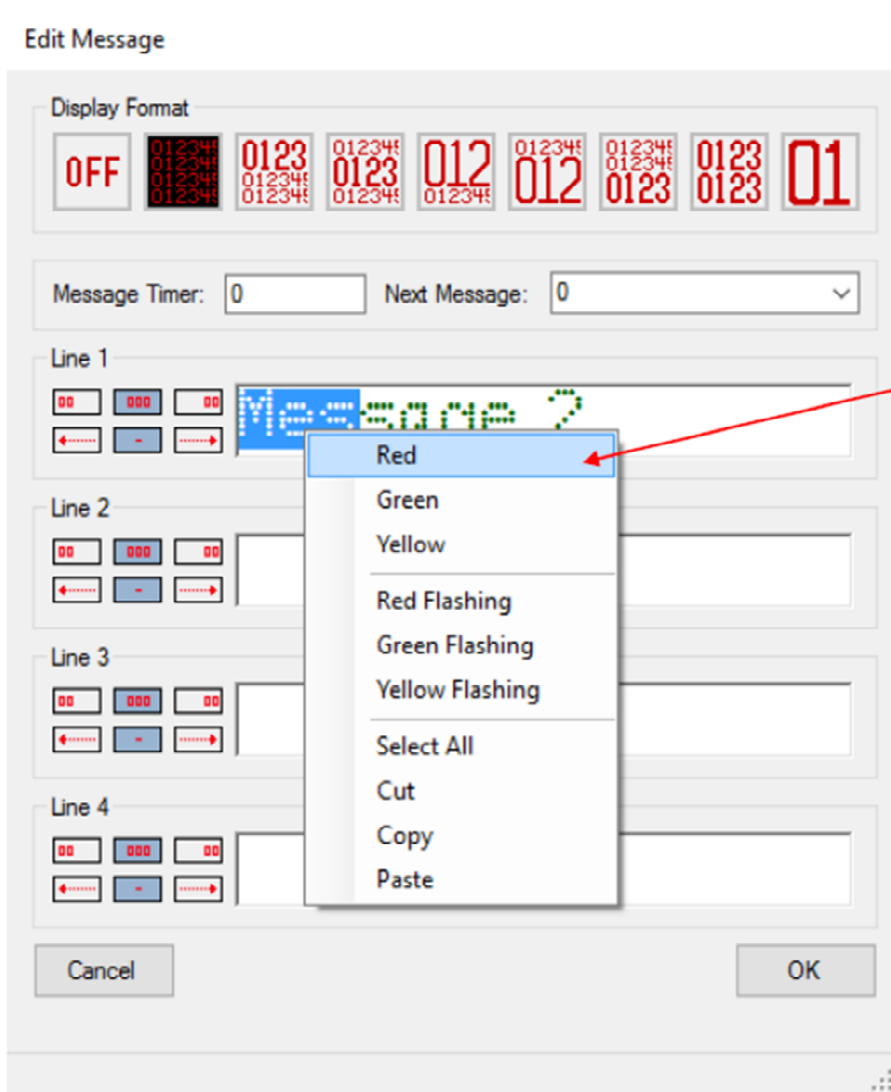
This is a close-up of the 'Display Format' section. Red arrows labeled '1' and '2' point to the 'OFF' option and the 16x8 pixel font option, respectively.

If you have an 8-pixel high Titan, then select the first display format option and this will give you 1 line of 8-pixel high text. (Line 1)

If you have a 16-pixel high Titan, then select the first display format option and this will give you 2 lines of 8-pixel high text. (Line 1 & Line 2). Or the second display format option and this will give you 1 line of 16-pixel high text. (Line 1)

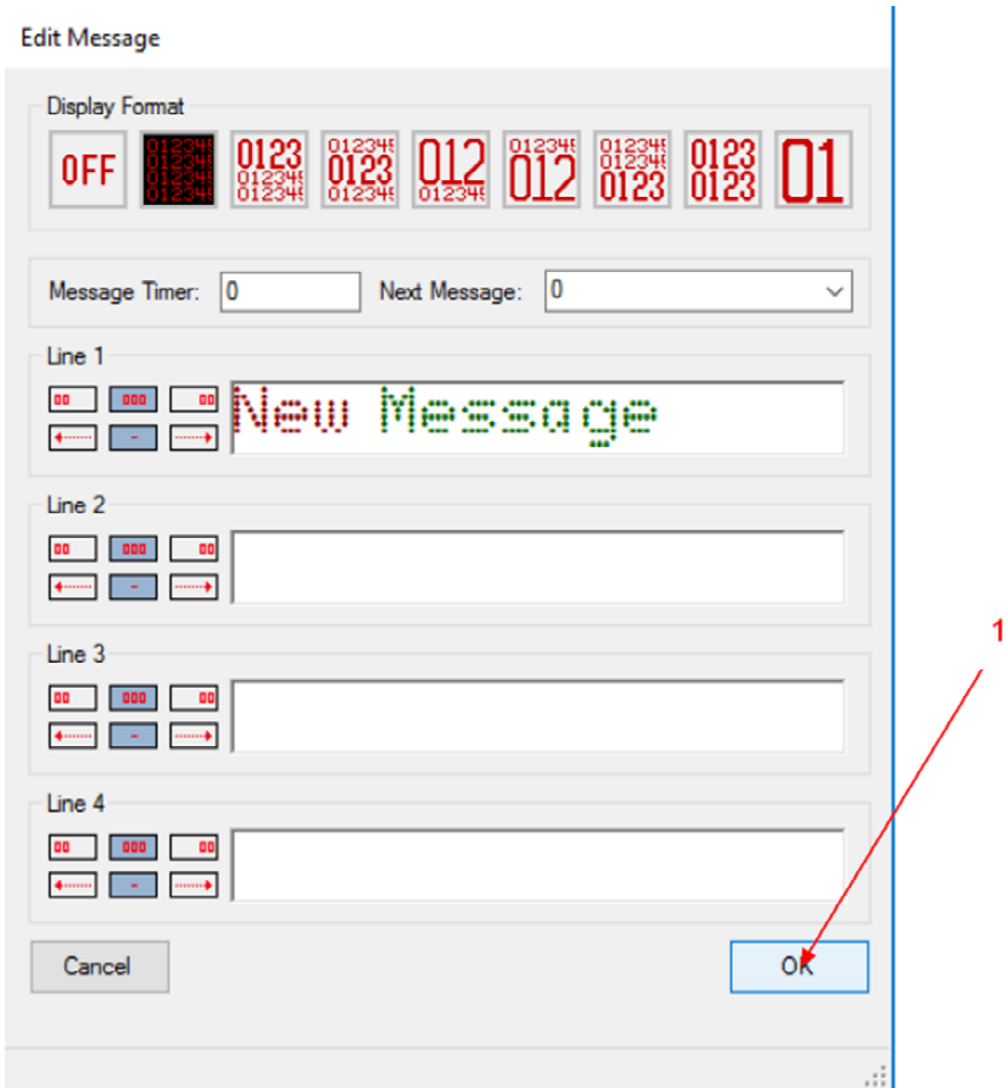
5)

1) Modify the message. Highlight the text (all or in part), then right click to change the colour.



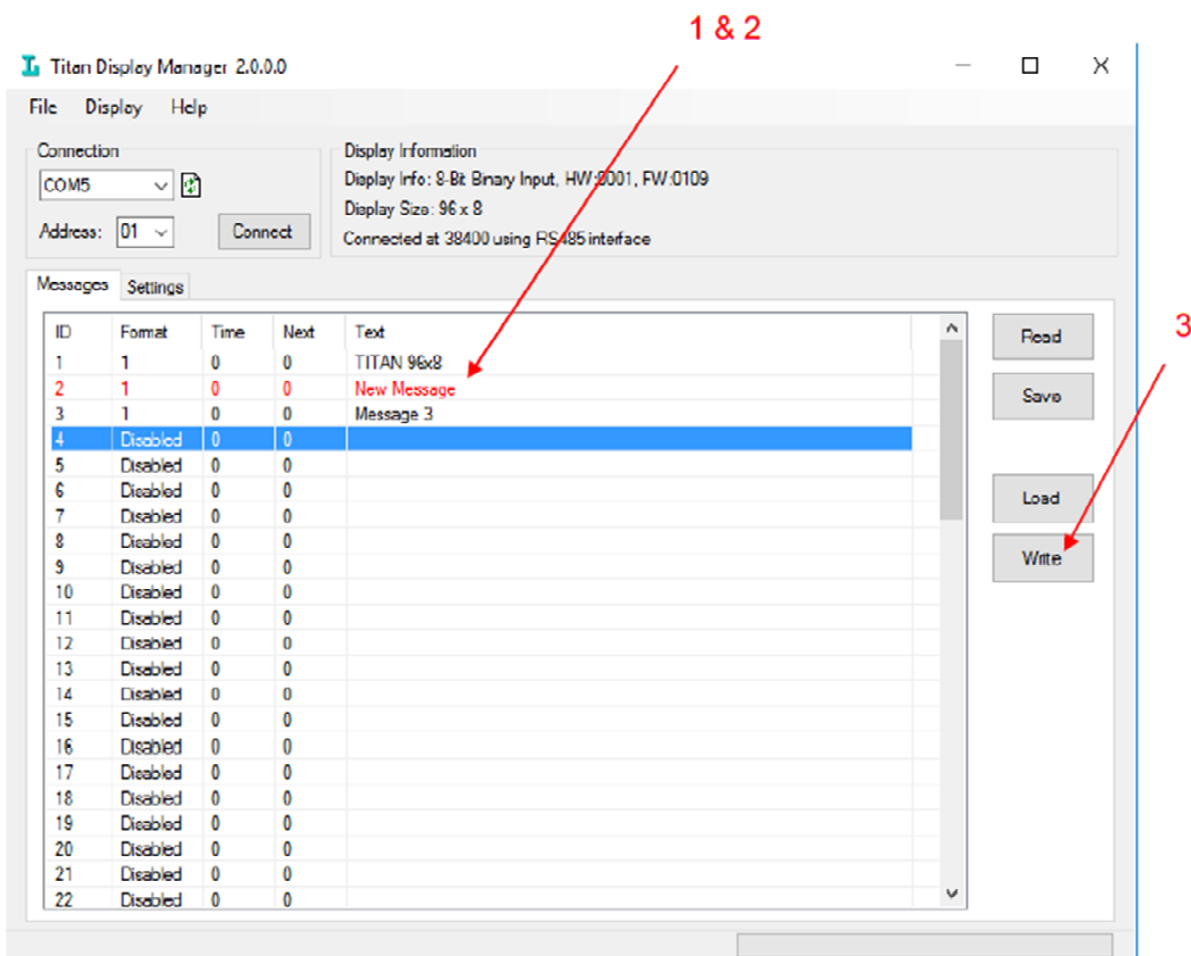
6)

1) Click "OK" once you have finished editing the message.

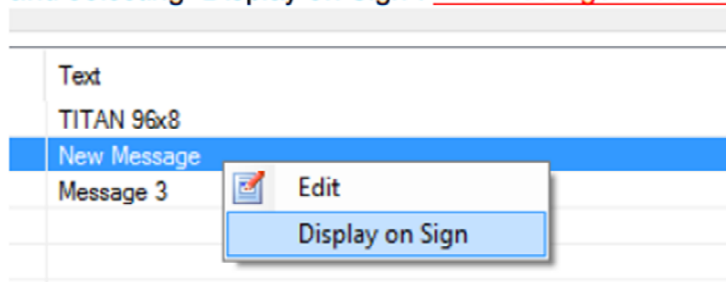


7)

1) Any New message that has been created or modified will appear in red. This is because it has not yet been saved to the display.



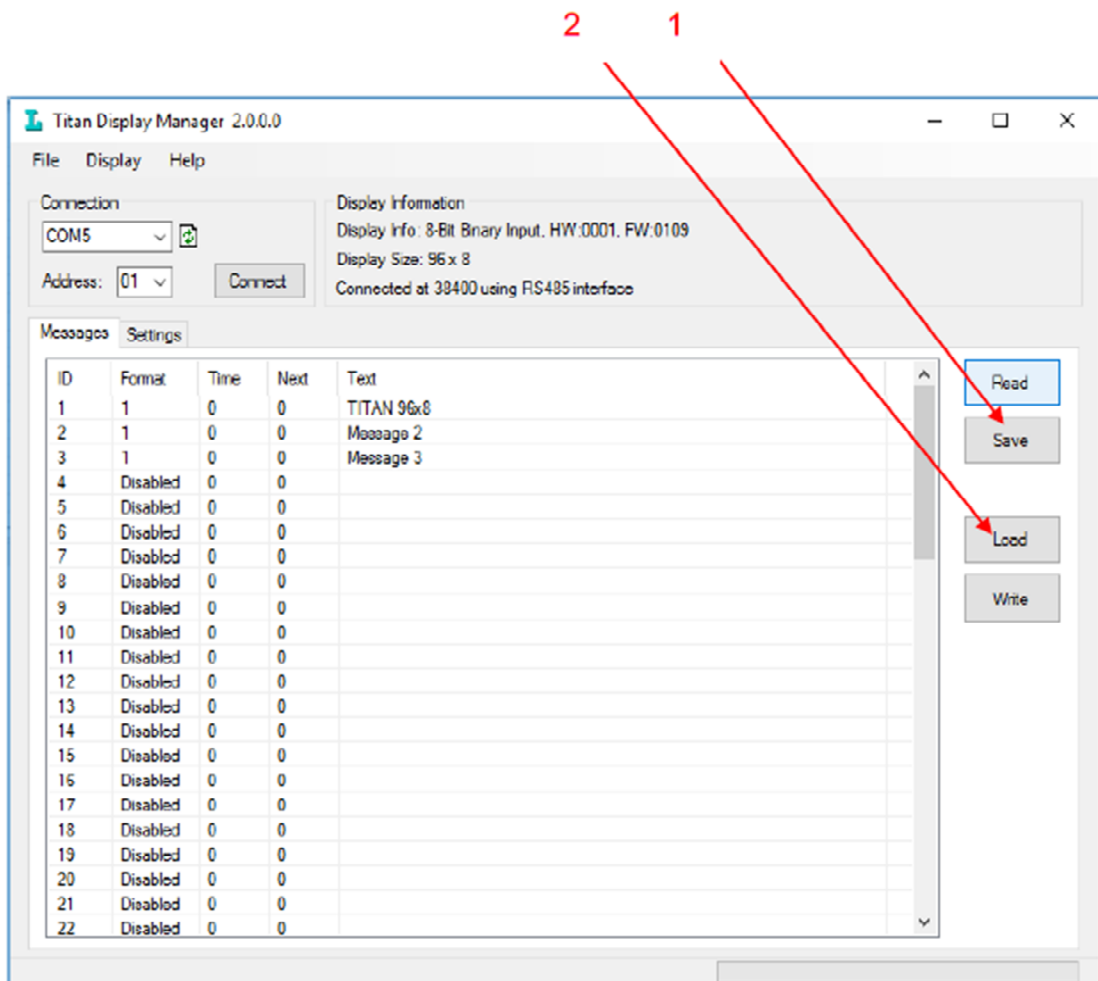
2) We can now test how are message will appear by right clicking on the message and selecting "Display on Sign". The messaged has not yet been saved.



3) However, the message will still appear red in Titan manager as it has not been saved to memory. To save all the messages to the Titan click "Write".

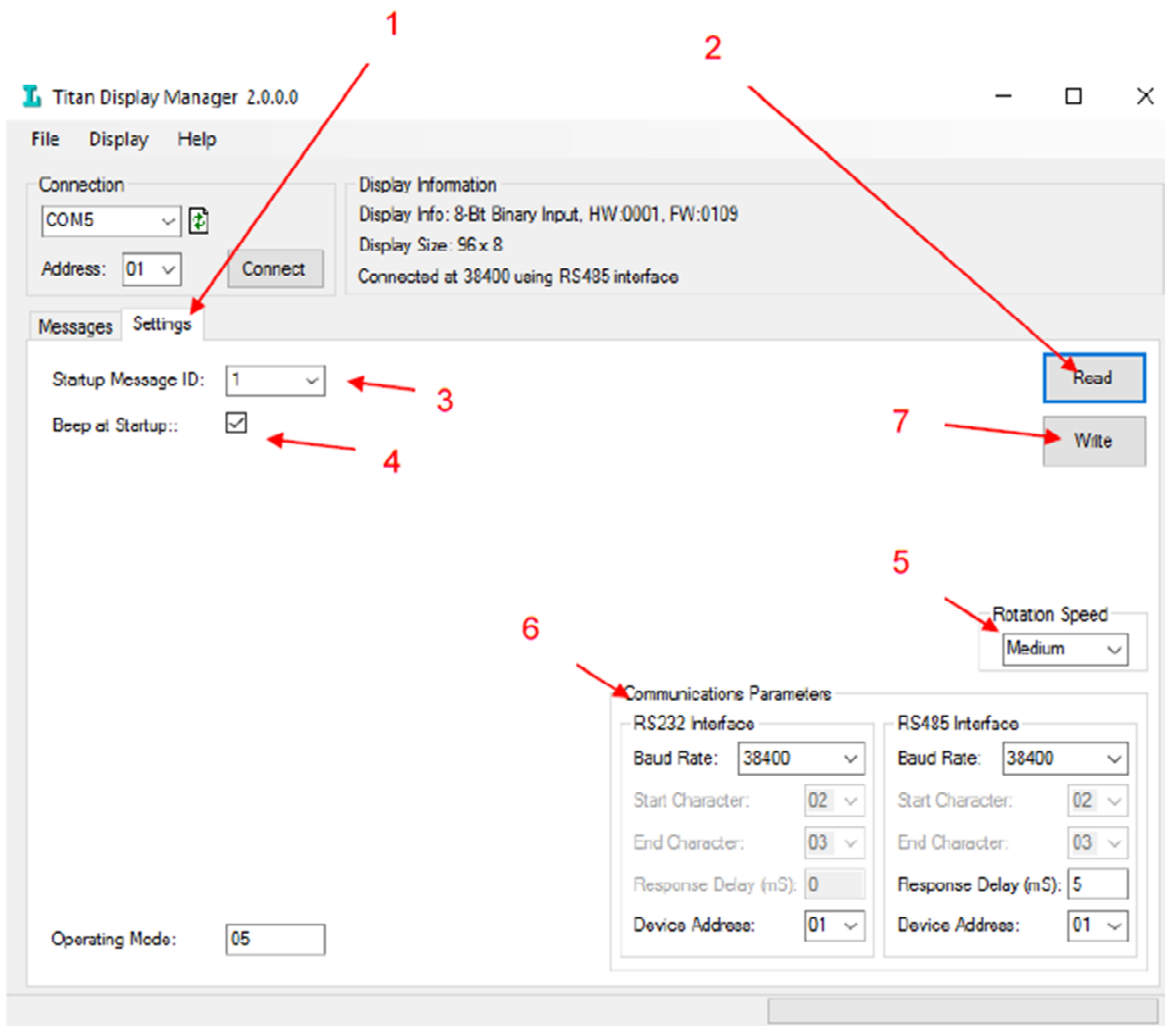
8)

- 1) Messages can be saved to your PC
- 2) Saved messages can be imported.



9) Advanced Settings

- 1) Click on settings tab.
- 2) Then click "Read"



- | | |
|------------------------------|--|
| 3) Startup Message ID: | First message to display after power on. |
| 4) Beep at Startup: | Beep when powered on. |
| 5) Rotation Speed: | Speed of scrolling text. |
| 6) Communication Parameters: | Serial settings for RS232 and RS485 Interface. |

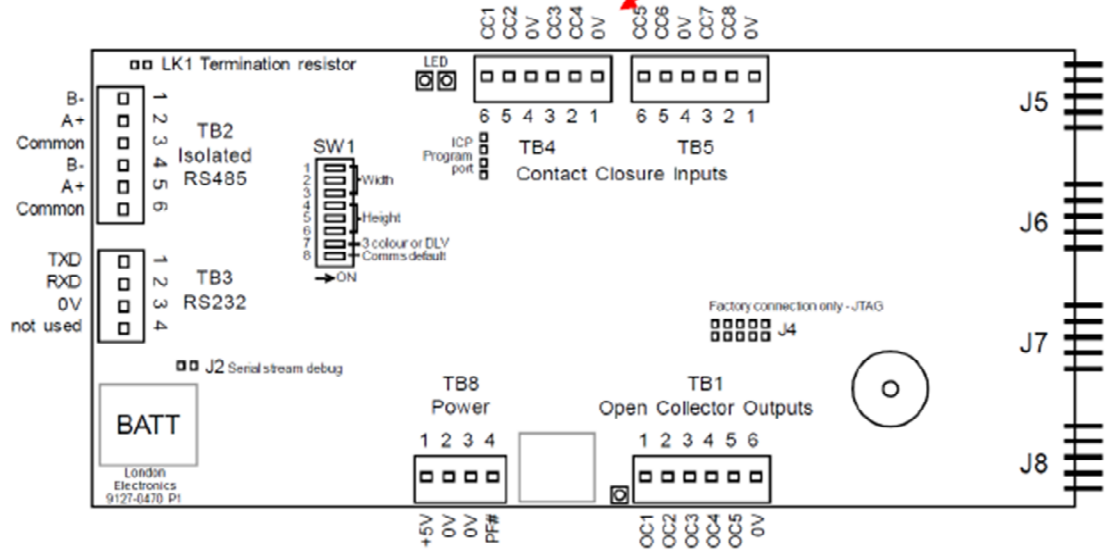
- 7) Click "Write" to upload new settings. Display will require power cycle.

Document Communication parameters for future reference when trying to re-connect. Such as Address and Baud Rate.

Binary Input

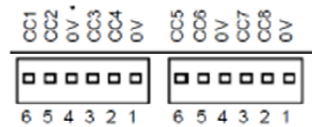
Contact Closures

Contact Closure Inputs

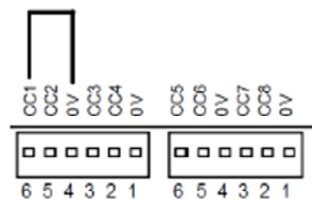


CC1 is the least significant bit and CC8 the most significant bit.

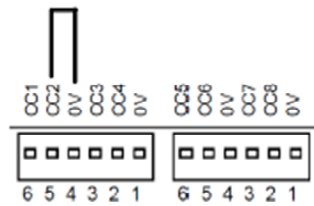
None & 0V will display blank



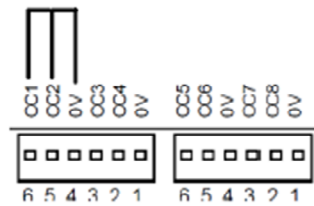
CC1 & 0V will display message with ID 1 as shown in Titan Manager.



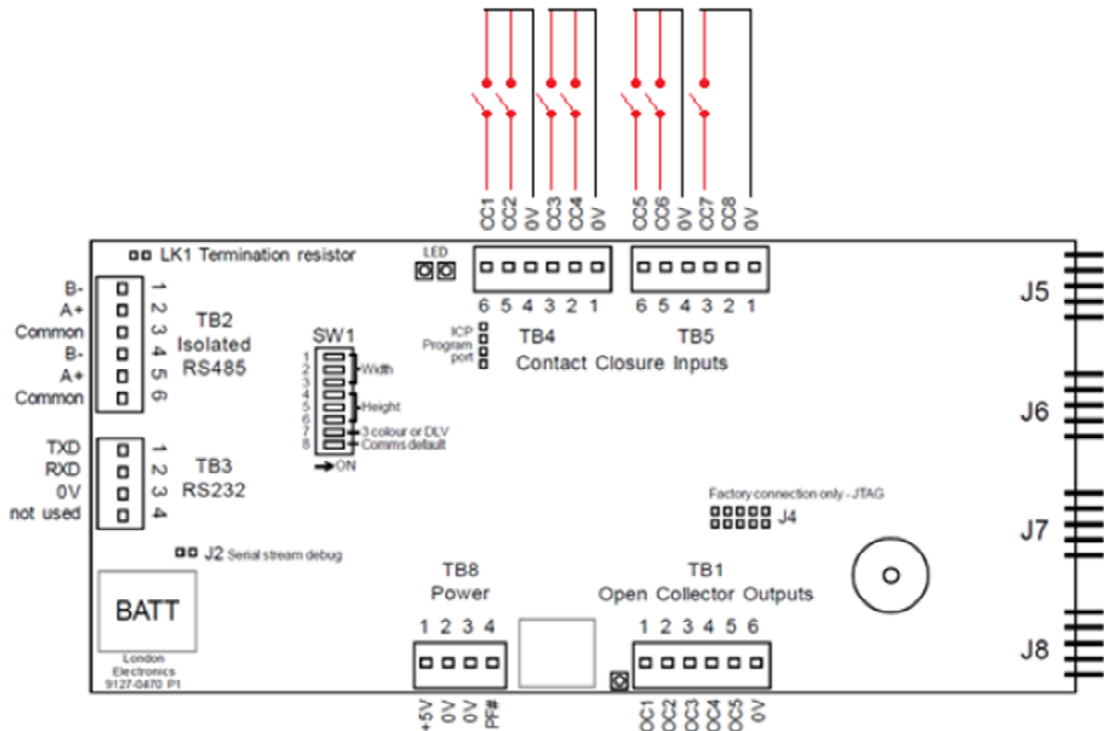
CC2 & 0V will display message with ID 2 as shown in Titan Manager.



CC1 & 0V and CC2 & 0V will display message with ID 3 as shown in Titan Manager.



And so on....



Declaration of CE Conformity

Declaration Reference : Titan
Issue Date : 21 September 2011
Products Covered : Titan Series of message displays
Title : DOC-Titan

This is to confirm that the Product covered by this declaration has been designed and manufactured to meet the limits of the following EMC Standard :

EN61326-1:1997

and has been designed to meet the applicable sections of the following safety standards

EN61010-1:2001



Conditions

The displays are allowed to display aberrations during periods when they are subjected to interference, but must recover automatically when disturbance ceases without the need for human intervention, such as resetting, power-down etc.

The displays covered by this certificate must be installed in adherence to the following conditions :-

Signal cabling shall be routed separately to power carrying cabling.

All signal cabling shall be screened. The screen shall only be terminated to the power earth terminal at the display end of the cable.

Declared as true and correct, for and on behalf of London Electronics Ltd.

J.R.Lees Director