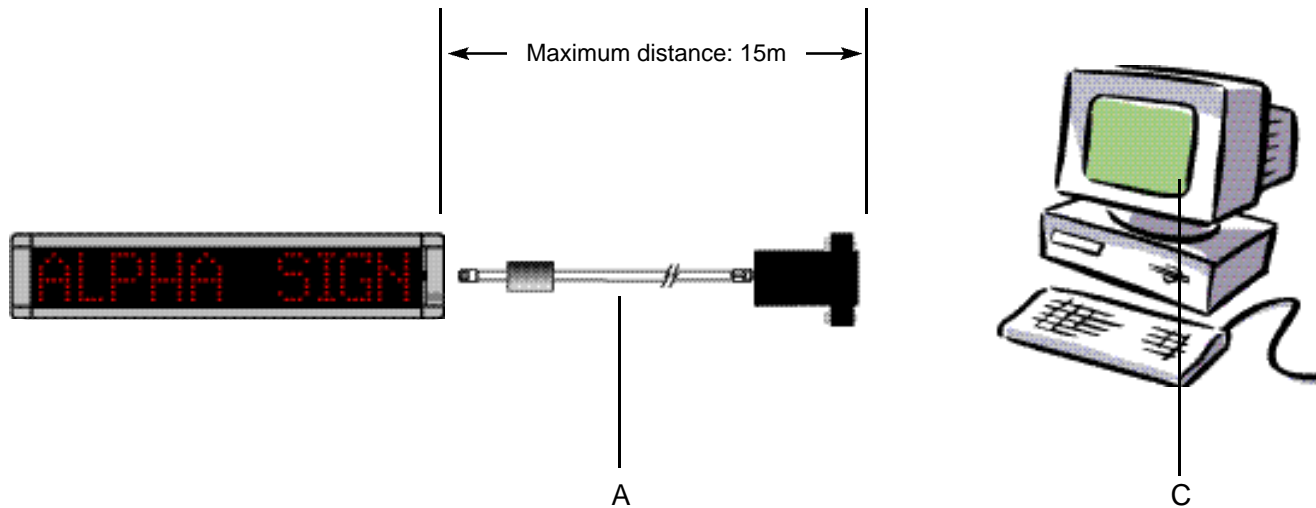


Single sign (RS232) networks

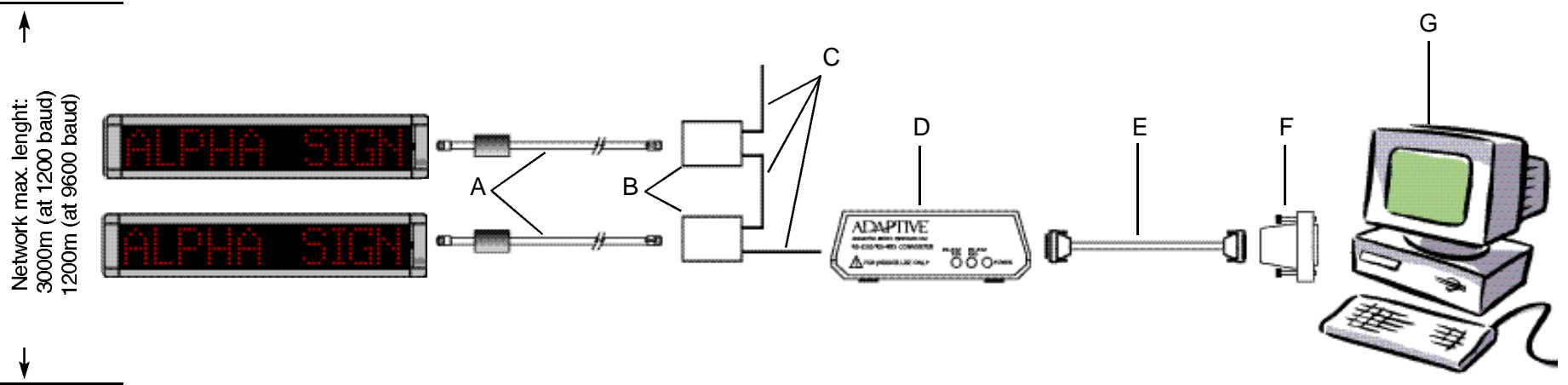
Use this setup when a simple RS232 serial connection to a single sign is needed :



	P/N	DESCRIPTION	NOTES
A	1036-9010	7.5m RS232 cable with 2 x RJ11, including SubD 9 pins to RJ11 adaptor.	Plugs into the sign's RS232 or TTL jack.
	1088-8627 + 1088-9108	15m RS232 cable with 2 x RJ11 + SubD 9 pins to RJ11 adaptor.	For a PC with a 9 pin RS232 plug.
C	E1092-9102	Basic Messaging software	Basic Messaging Software comes with a 1036-9010 cable.
	1092-9113	AlphaNet for Windows software V2.0	
	M-M	Message Manager software for Alpha Director	
	1092-9112	ActiveX software	

Multiple (RS485) sign networks

Use this setup when multiple signs need to be connected to a RS485 serial network (up to 255 signs)



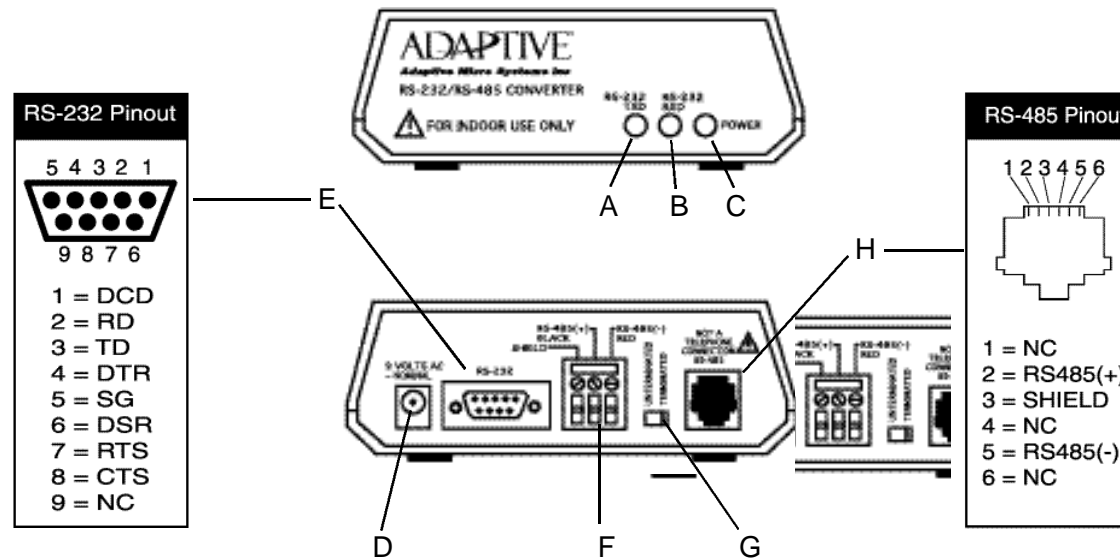
RS485

	P/N	DESCRIPTION	NOTES
A	1088-8624	2.5m. RS485 cable with 2 RJ11.	Plugs into the sign RS485 jack. (The last display on the network must have an end-of-line terminator in the RS232 jack).
	1088-8636	0.3m. RS485 cable with 2 RJ11.	
B	4331-0602	Modular network adaptor for RS485 network.	Used to interconnect signs.
C	1088-8002	RS485 bulk (300m).	Used to interconnect signs.
D	1088-1111	RS232/RS485 converter, used with adapter 4011-4201 (Europe) or 4011-3201 (UK)	Converts RS232 signal to RS485 signal.
E	1088-8634	PC RS232 A9 cable.	Connects the RS232/RS485 converter to the PC.
F	-	DB9-DB25 adapter.	Required if the PC has a 25 pin RS232 port.
G	1092-9113	AlphaNet for Windows software V2.0	
	M-M	Message Manager software for Alpha Director	
	1092-9112	ActiveX software.	

RS232/RS485 converter box

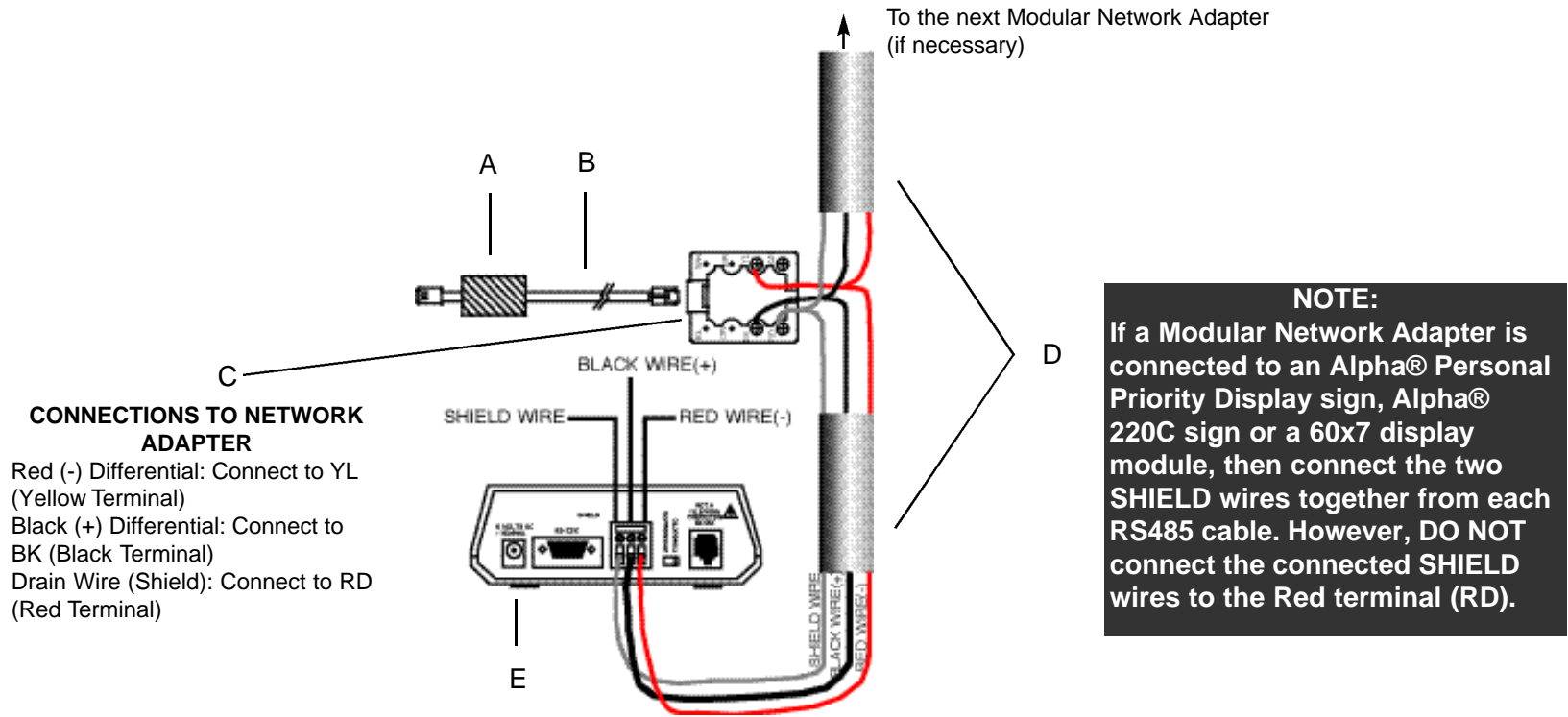
RS232/RS485 CONVERTER BOX

The RS232-to-RS485 Converter Box III makes communication possible between a PC and signs. The Converter Box III converts standard RS232 from a PC's serial port into RS485 signals for use in networks of signs.



A	RS232 TXD indicator	When lit, indicates that the Converter Box III is transmitting data through its RS232 connector and receiving data through its RS485 connector.
B	RS232 RXD indicator	When lit, indicates that the Converter Box III is receiving data through its RS232 connector and transmitting data through its RS485 connector.
C	POWER indicator	When lit, indicates that the Converter Box III has power applied to it.
D	Power plug	The 9-volt power source for the Converter Box III connects here.
E	RS232 Connector	Connects to a PC's (or a print server's) RS232 serial port.
F	RS485 connector block	Connects to an Alpha sign network.
G	Termination selector	Set to Terminated or Unterminated depending on the configuration of the sign network.
H	RS485 plug connector	Connects to an Alpha sign network. However, use the RS485 connector block for network connections. This is not a telephone connector.

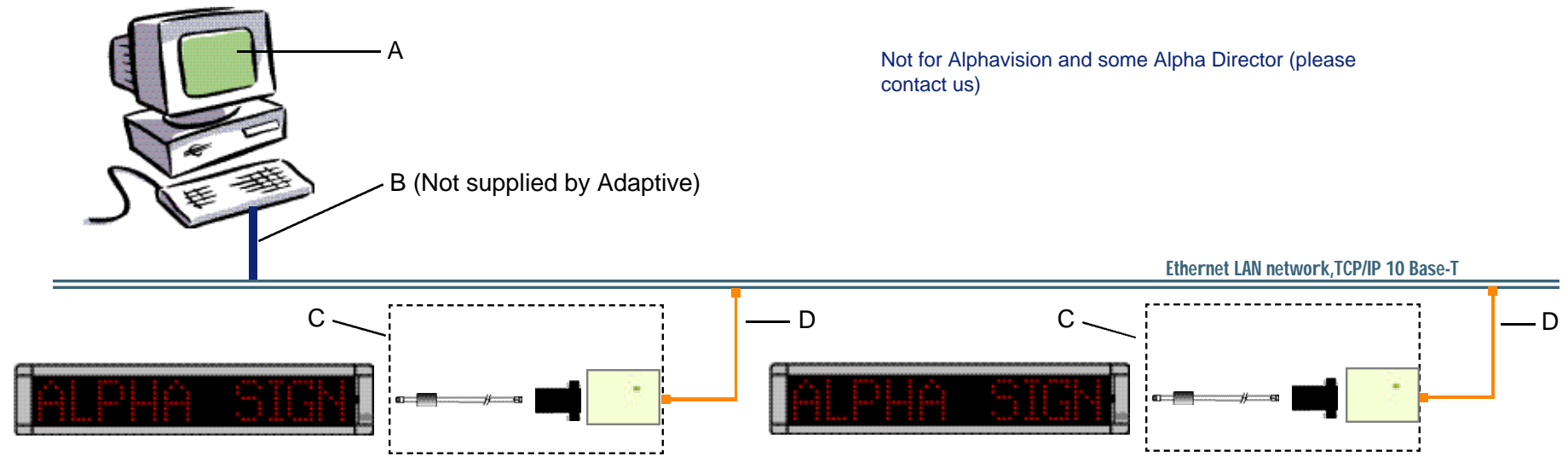
How to connect the Modular Network Adapter to a Converter Box



	P/N	Description
A	—	Ferrite: Insert the end of the 4-conductor data cable (B) with the ferrite core into the RJ11 port on the electronic display - the ferrite core must be closer to the electronic display than it is to the modular network adapter.
B	1088-8624	RS485 2.5m cable
	1088-8636	RS485 0.3m cable
C	4331-0602	Modular Network Adapter
D	1088-8002	RS485 (300m) bulk, used to connect a modular network adapter to a converter box or to another modular network adapter.
E	1088-1111	RS232/RS485 convertor box, used with adapter 4011-4201 (Europe) or 4011-3201 (UK).

TCP/IP 10BASE-T multiple sign network with Alpha Ethernet Adapter

TCP/IP 10 BASE-T

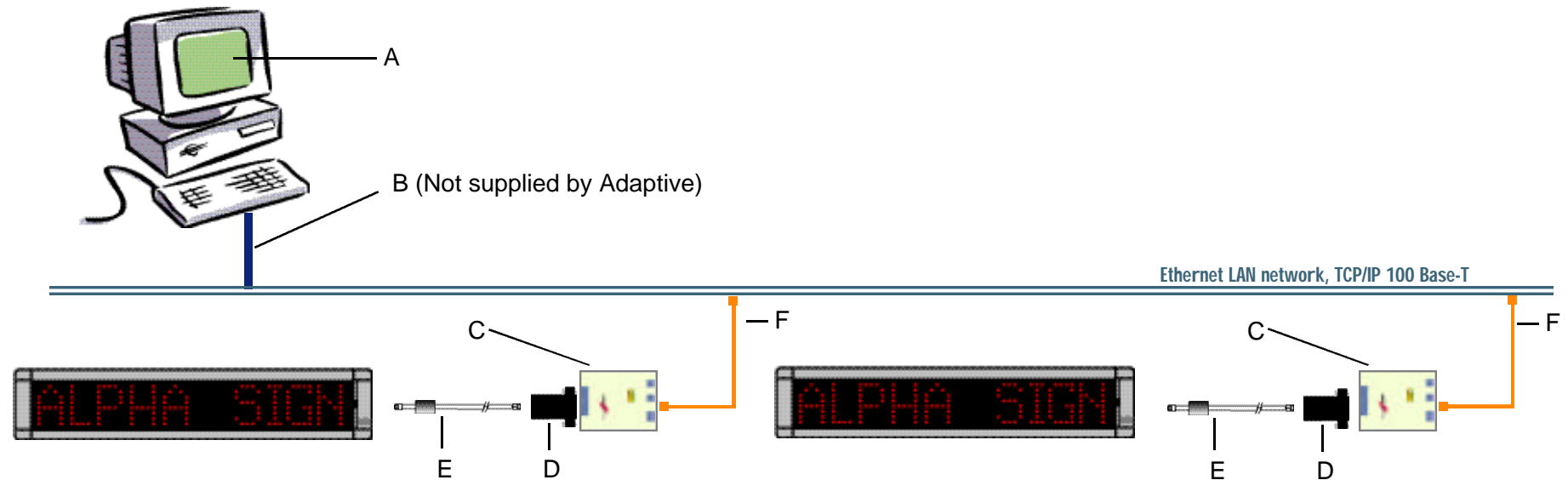


Not for Alphavision and some Alpha Director (please contact us)

	REFERENCE	DESCRIPTION	NOTES
A	E1092-9102	Basic Messaging Software	Needs Redirector software (included in Alpha Ethernet Adapter kit.)
	1092-9113	AlphaNet for Windows V2.0 software	
	M-M	Message Manager software for Alpha Director	
	1092-9112	ActiveX (communicate with your Alpha display directly from any application that supports the use of ActiveX controls).	Redirector software is not necessary. No limitation, except the number of IP addresses.
B	-	The PC must be connected to the Ethernet LAN with a network card.	
C	1088-9120	Alpha Ethernet Adapter kit	Includes a 25B->RJ11 connector, a RS232 20cm cable, Redirector software. Each Alpha Ethernet Adapter is mounted on the back of the sign, no separate power supply is needed. Each Alpha Ethernet Adapter needs its own IP address.
D	1188-9016	10/100 Base T, 2m, 100 Ohms Ethernet cable	

TCP/IP 100BASE-T multiple sign network with MSS100

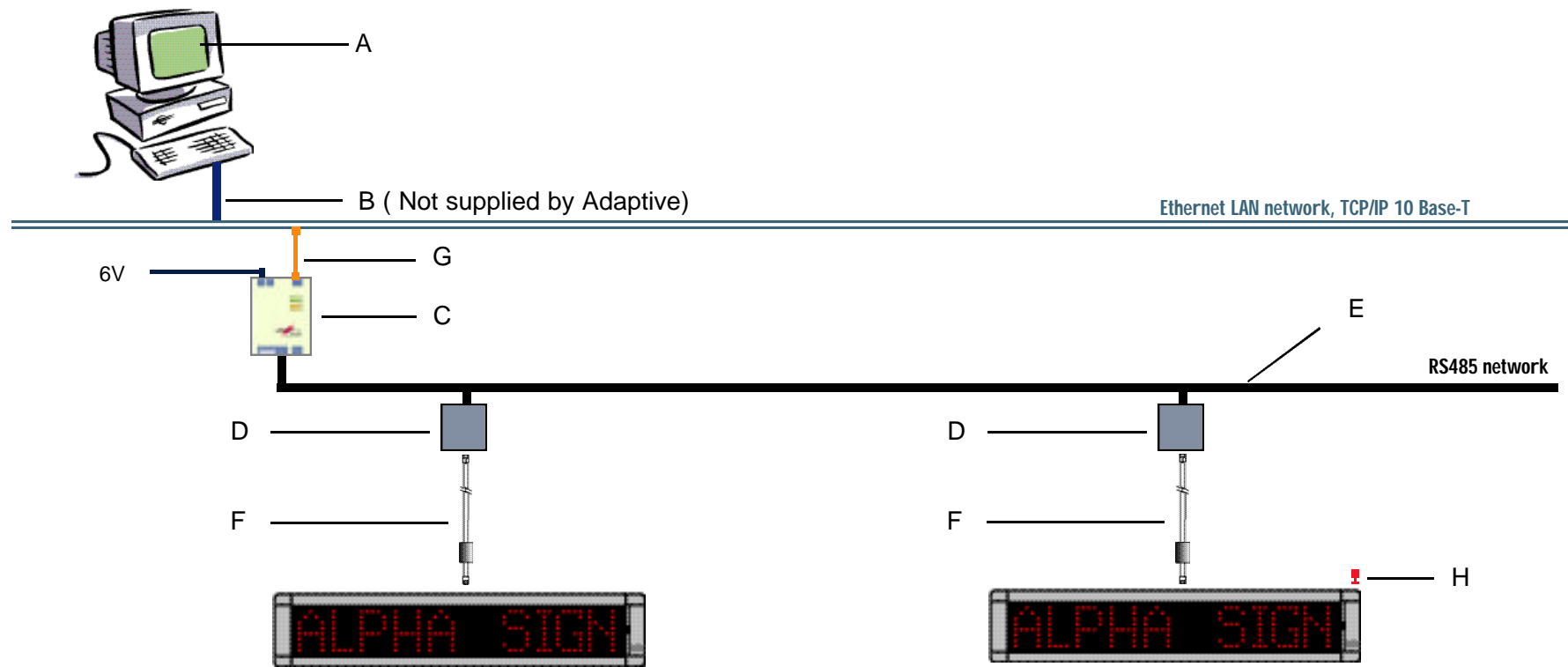
TCP/IP 100 BASE-T



	REFERENCE	DESCRIPTION	NOTES
A	E1092-9102	Basic Messaging Software	Needs Redirector software (included in MSS100).
	1092-9113	AlphaNet for Windows V2.0 software	
	M-M	Message Manager software for Alpha Director	
	1092-9112	ActiveX (communicate with your Alpha display directly from any application that supports the use of ActiveX controls).	Redirector software is not necessary. No limitation, except the number of IP addresses.
B	-	The PC must be connected to the Ethernet LAN with a network card.	
C	1088-4113	MSS100	Each MSS100 includes a separate power supply
D	4370-0001C	Sub D 25 pins to RJ11 adapter	To connect the MSS100 to the Alpha display.
E	1088-8625	RS232 7.5m cable with 2 RJ11	To connect the MSS100 to the Alpha display.
F	1188-9016	10/100 Base T, 2m, 100 Ohms Ethernet cable	To connect the MSS100 to the Ethernet LAN network.

Connecting multiple signs to an Ethernet and a RS485 network (with MSS485)

TCP/IP 10 BASE-T/RS485



	REFERENCE	DESCRIPTION	NOTES
A	1092-9113	AlphaNet for Windows V2.0 software	
	M-M	Message Manager software for Alpha Director	
B	-	The PC must be connected to Ethernet with a network card.	
C	1088-4112	MSS485 Micro Serial Server.	To connect an Ethernet and a RS485 network.
D	4331-0602	Modular Network Adapter with RJ11 for RS485.	Used to interconnect signs.
E	1088-8002	RS485 bulk (300m).	Used to interconnect signs.
F	1088-8624	2.5m. RS485 cable with 2 RJ11.	Plugs into the sign's RS485 jack. (The last sign on the network must have an End of Line terminator in its RS232 jack).
	1088-8636	0.3m. RS485 cable with 2 RJ11. (Recommended).	
G	1188-9016	10/100 Base T, 2m, 100 Ohms Ethernet cable.	To connect the MSS485 to the Ethernet network.
H	1088-9107	End of line terminator RS485.	For the last sign on the network.