

PD10 CONVERTER OF USB/RS-485 INTERFACES

FEATURES:

Supply from USB port



CE

- Enables the connection of the industrial RS-485 interface to the PC computer through the USB port
- Maximum transmission rate up to 1 Mb/s (this rate depends on RS-485 wire length)
- Transparent for communication protocols
- Galvanic separation protects computer USB ports.

INPUTS:

RS 485

OUTPUTS:

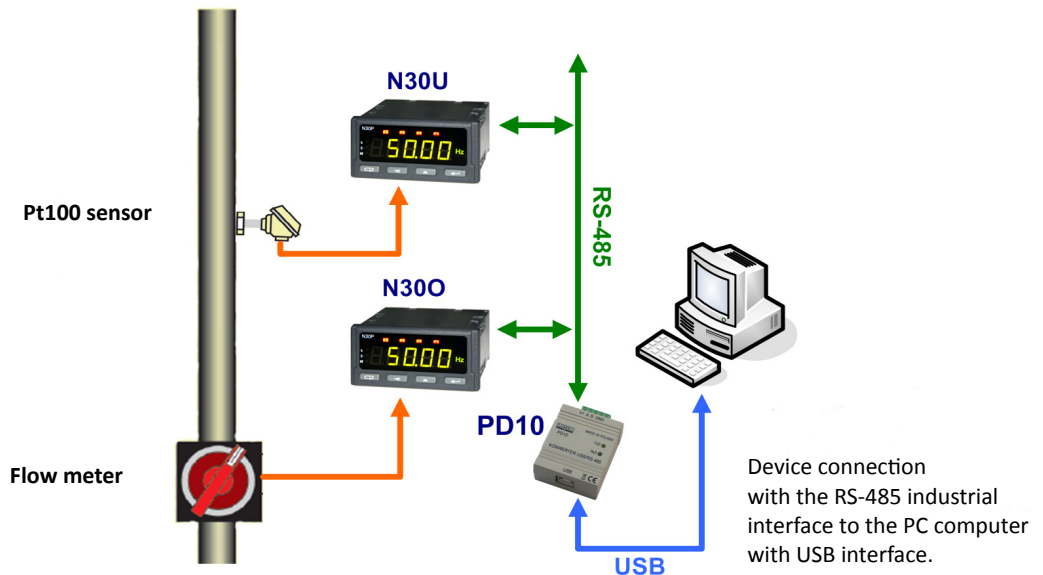
USB

GALVANIC ISOLATION:

USB

RS 485

EXAMPLE OF APPLICATION



DIGITAL INTERFACE

Interface type	Properties	
RS-485/USB	Baud rate:	up to 1 Mb/s
	Steering of the data flow direction:	automatically
	Controllers:	Windows 2000, XP, Server 2003, Vista, Server 2008 (x86 and x64)

EXTERNAL FEATURES

Overall dimensions	52 x 44 x 24 mm	
Weight	0.1 kg	with packing
Protection grade	Housing: IP40	from terminal side: IP20
Housing	Portable	

PD10 CONVERTER OF USB/RS-485 INTERFACES

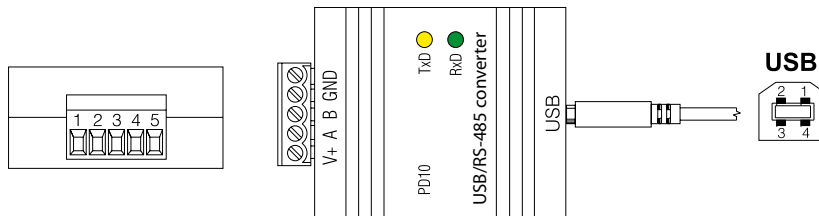
RATED OPERATING CONDITIONS

Supply voltage	5 V d.c. collected from the USB port	Input power: ≤ 1.5 W
Temperature	Ambient: 0...55°C	Storage: 0...70 °C
Relative humidity	< 85%	
Operating position	any	
External magnetic field	400 A/m	
Admissible sinusoidal vibrations	Frequency: 10..150 Hz	Shift amplitude: ≤ 0.35 mm
Time of readiness obtainment since the device connection	≥ 16 s	

SAFETY AND COMPATIBILITY REQUIREMENTS

Electromagnetic compatibility	Noise immunity	acc. to EN 61000-6-2
	Fastness against supply decays	acc. to EN 61000-6-2
	Emission of radio electric perturbations	acc. to EN 61000-6-4
Pollution level	2	acc. to EN 61010-6-1
Installation category	III	
Maximum phase-to-earth operating voltage	50 V	

CONNECTION DIAGRAMS



SEE ALSO:



PD51 - converter of RS - 232/RS - 485 interfaces



PD8 - converter of RS - 485/Ethernet interfaces

ORDERING

Converter of USB/RS-485 interfaces - PD10	X	X	X
Galvanic isolation:			
with isolation	1		
Version:			
standard		0	
custom-made *		X	
Acceptance tests:			
without additional quality inspection requirements			8
with an extra quality inspection certificate			7
acc.to customer's requests *			X

* after agreeing with the manufacturer

Ordering example:

The code **PD10 - 1 0 7** means:

PD10 - converter of PD10 type

1 - with galvanic isolation

0 - standard version

7 - with an extra quality inspection certificate